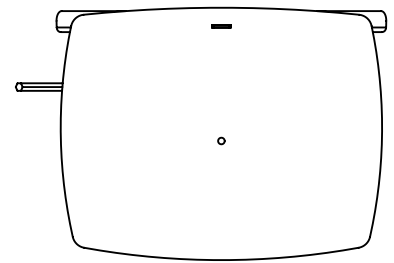
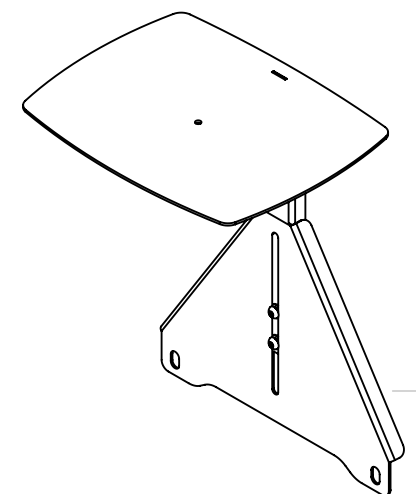
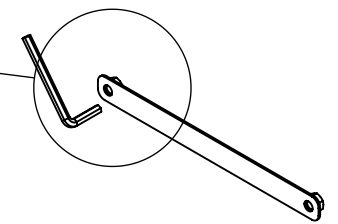
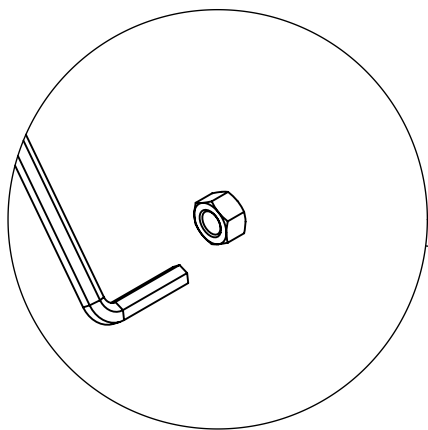
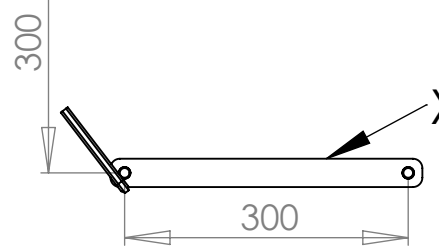
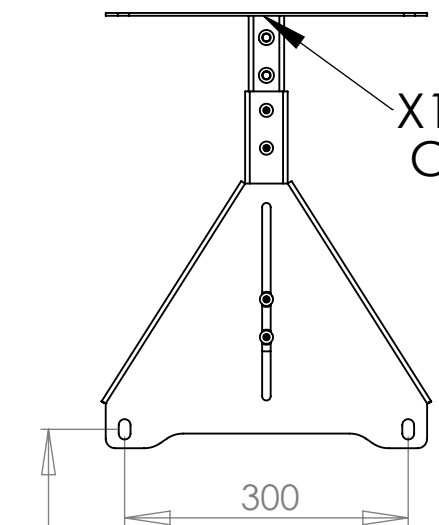


X4 M8 X 20 Button Head
Plus Allen key - 2 off M12 plus binx nuts

X1 3/8 X 1/4 UNC
Camera Screw

Standard VCM Tray And
Extending Channels

X1 Spacer Strip



Description		Axia Titan Vcm 300 Centres 36Cm X 26Cm			
UNLESS OTHERWISE SPECIFIED: DIMENSIONS ARE IN MILLIMETERS	Saved Date: 09 December 2021	DRW - REV REV - A-011	See Below - Special Notes		
	Created Date: 09 December 2021 Bend Tool:				
SURFACE FINISH: Powder Coated	Material:	Gauge:	Part Number & Part Revision Ass--20016553 REV - A-011		
Created By System Administrator Unicol Engineering Green Road Oxford OX3 8EU					
WEIGHT: 4.31		Kg	SCALE:1:10	DO NOT SCALE DRAWING	SHEET 1 OF 1