

1

2

3

4

5

6

A

A

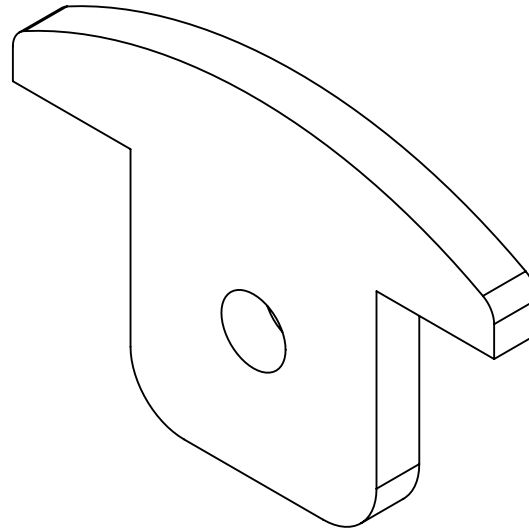
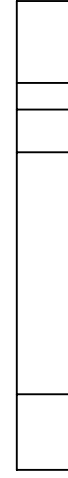
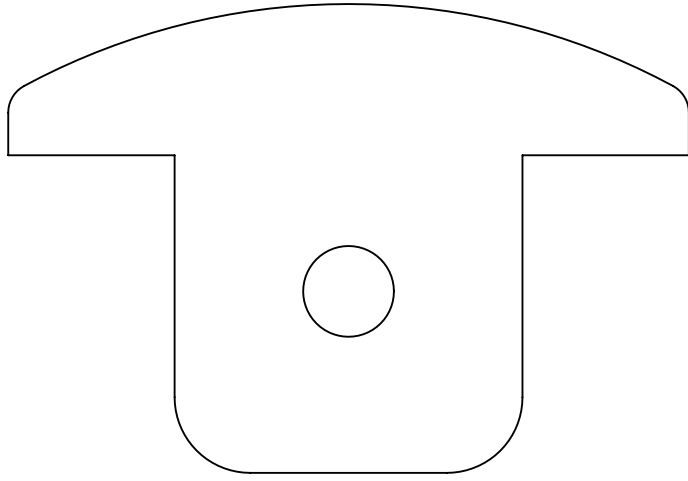
B

B

C

C

D



Description		TLK Taglock Kit	
UNLESS OTHERWISE SPECIFIED: DIMENSIONS ARE IN MILLIMETERS	Saved Date: 23 August 2021 Created Date: 23 August 2021 Bend Tool:		DRW - REV REV - B-004
	SURFACE FINISH: Powder Coated		
Created By System Administrator Unicol Engineering Green Road Oxford OX3 8EU	Material:		Part Number & Part Revision Ass--20003484 REV - B-004
	Gauge:		

See Below - Special Notes

1

2

3

WEIGHT: 0.03

Kg

SCALE:1:0.5

DO NOT SCALE DRAWING

SHEET 1 OF 1