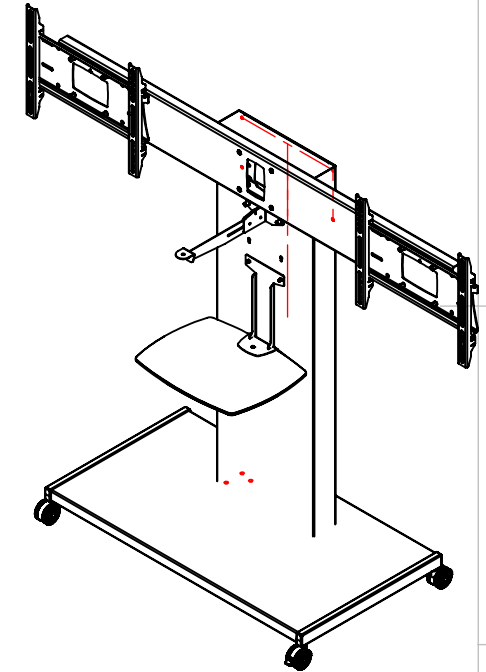
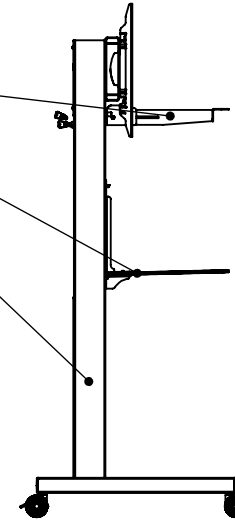


Standard Rhobus mast section
Blade type vcm
Glass shelf

X2 PZX3

1200mm wide Rhobus
trolley base

Wider back spine to take
X2 Screens upto 65inch (1540mm)



Description		Rhobus Twin Screen Trolley Pzx3 Glass Shelf Blade Type Vcm			
UNLESS OTHERWISE SPECIFIED: DIMENSIONS ARE IN MILLIMETERS	Created Date: 10 February 2022	DRW - REV REV - A-007	See Below - Special Notes		
	Created Date: 27 August 2021				
SURFACE FINISH: Powder Coated	Bend Tool:	Material:	Part Number & Part Revision Ass--20019115 REV - A-007		
Created By System Administrator Unicol Engineering Green Road Oxford OX3 8EU	Gauge:				
WEIGHT: 93.46		Kg	SCALE:1:25	DO NOT SCALE DRAWING	SHEET 1 OF 1