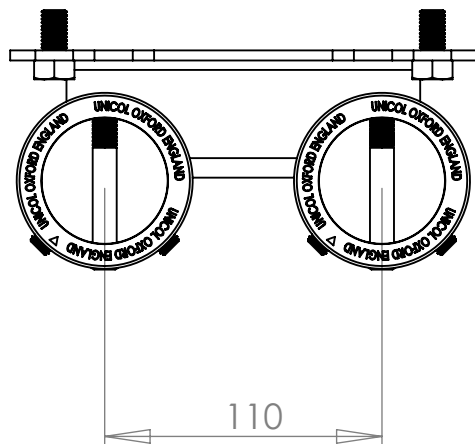


DETAIL A
SCALE 2 : 3



BOM Table				
NO	Configuration	Part Number	Description	QTY.
1	Default	Par--20002720	PS3 Twin Through Socket Adapter Plate	1
2	Default	Ass--20002152	Ceiling suspension socket No Cable and Dimple	2
3	M10 X 20	Hex head	Hex Machine Screw M10 X 20 (High Tensile Black Oxide)	4

Description		PS3V1 Twin through Socket Suspension Adapter		
UNLESS OTHERWISE SPECIFIED: DIMENSIONS ARE IN MILLIMETERS	Created By	System Administrator	UNICOL OXFORD ENGLAND	See Below - Special Notes
	Created By	System Administrator	UNICOL OXFORD ENGLAND	
SURFACE FINISH: Powder Coated	UNICOL OXFORD ENGLAND	UNICOL OXFORD ENGLAND	UNICOL OXFORD ENGLAND	Part Number & Part Revision Ass--20001516 REV - E-017
UNICOL OXFORD ENGLAND	UNICOL OXFORD ENGLAND	UNICOL OXFORD ENGLAND	UNICOL OXFORD ENGLAND	

WEIGHT: 2.27

Kg

SCALE:1:3

DO NOT SCALE DRAWING

SHEET 1 OF 1