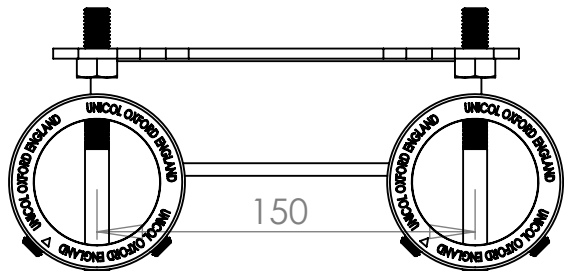
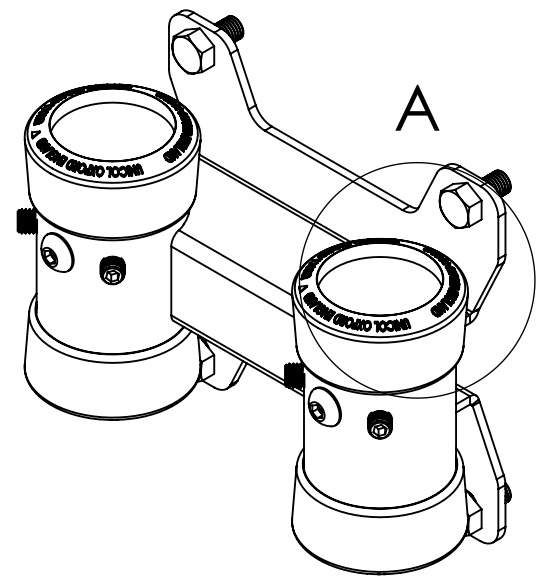


DETAIL A
SCALE 2 : 3



BOM Table			
NO	Part Number	Description	QTY.
1	Par--20007774	PS3A1 Twin Through Socket Large Adapter Plate	1
2	Ass--20002152	Ceiling suspension socket No Cable and Dimple	2
3	HMS-MET-10X20-HT-BO	Hex Machine Screw M10 X 20 (High Tensile Black Oxide)	4

Description		PS3A1 Twin Through Socket Suspension Adapter	
UNLESS OTHERWISE SPECIFIED: DIMENSIONS ARE IN MILLIMETERS	Saved Date: 23 August 2021	DRW - REV REV - D-011	See Below - Special Notes
	Created Date: 23 August 2021		
SURFACE FINISH: Powder Coated	Bend Tool:		
Created By System Administrator Unicol Engineering Green Road Oxford OX3 8EU	Material:	Part Number & Part Revision Ass--20004269 REV - D-011	
	Gauge:		