

1

2

3

4

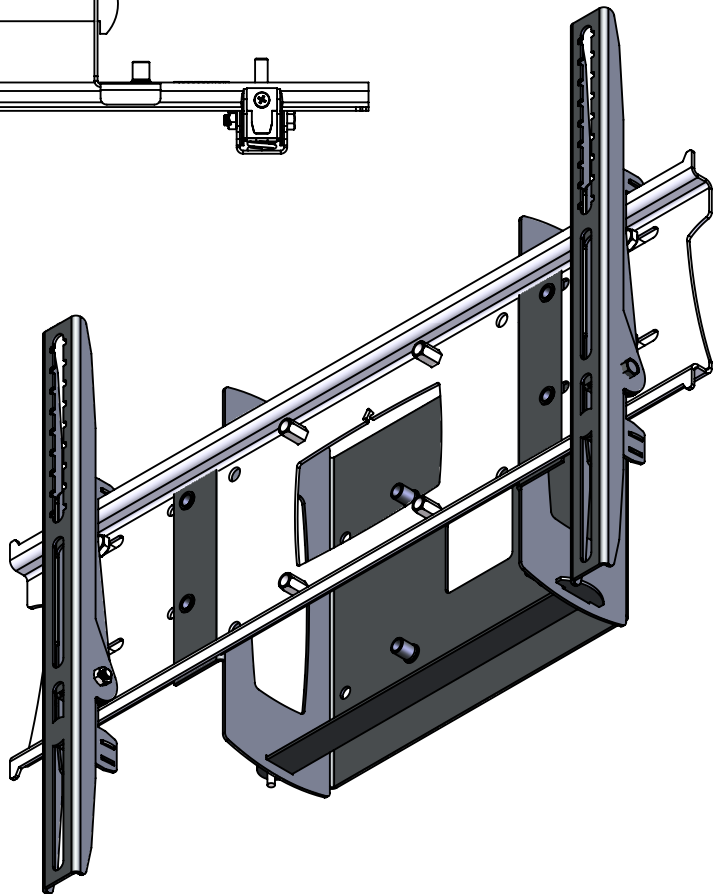
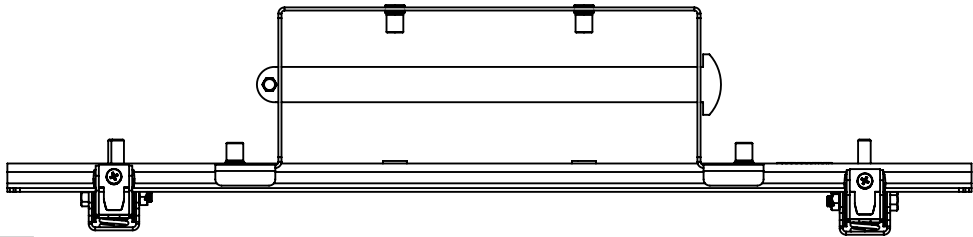
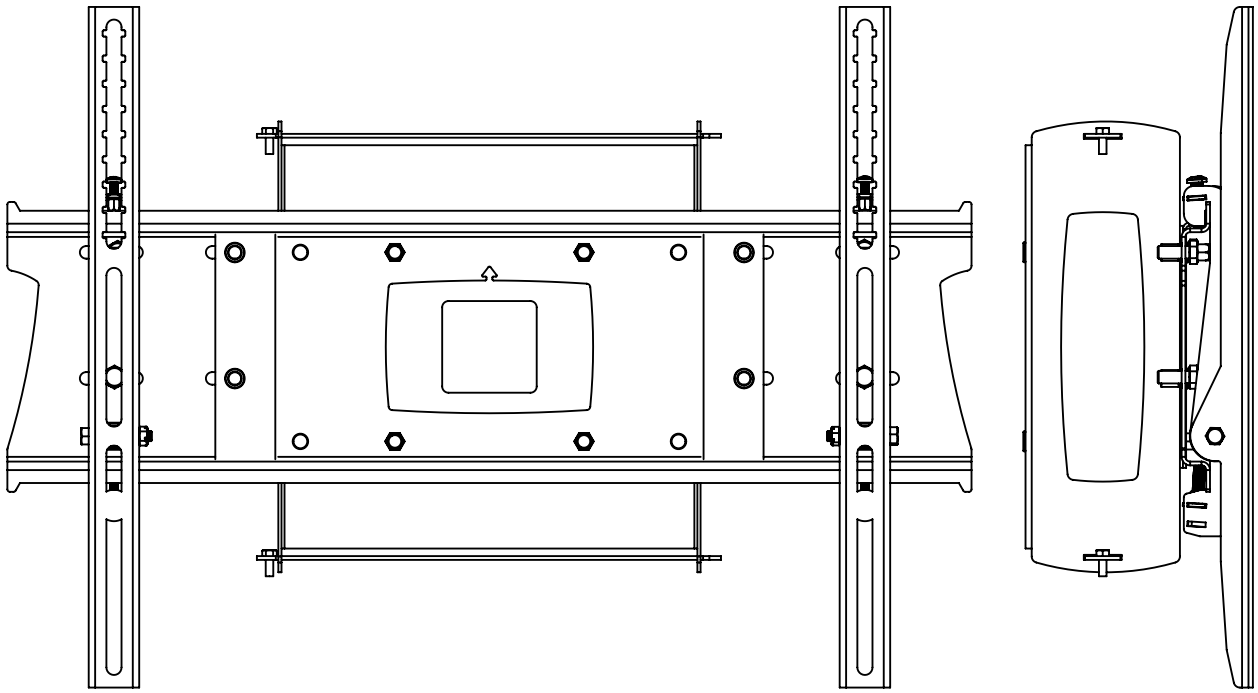
A

B

C

D

E



| | | | | | |
|--|-------------|------------|---------------|---|----------------------|
| Unicol Engineering Green Road Oxford OX3 8EU | | Material | | Description: PCZW1 Pozimount Tilting Type 1 PC Pocket 32w X 10d X 33h | |
| REVISION | B-005 | Drawn Date | 23/08/2021 | Bend & Machine Number: | |
| Drawn By | Ricky Clark | 10/05/2007 | Gauge: | DWG NO. | |
| UNLESS OTHERWISE SPECIFIED: DIMENSIONS ARE IN MILLIMETER SURFACE FINISH: Powder Coated | | | Ass--20002118 | | A4 |
| WEIGHT: 10.3110.31 | | kg | | SCALE:1:6 | DO NOT SCALE DRAWING |
| | | | | | SHEET 1 OF 1 |

F