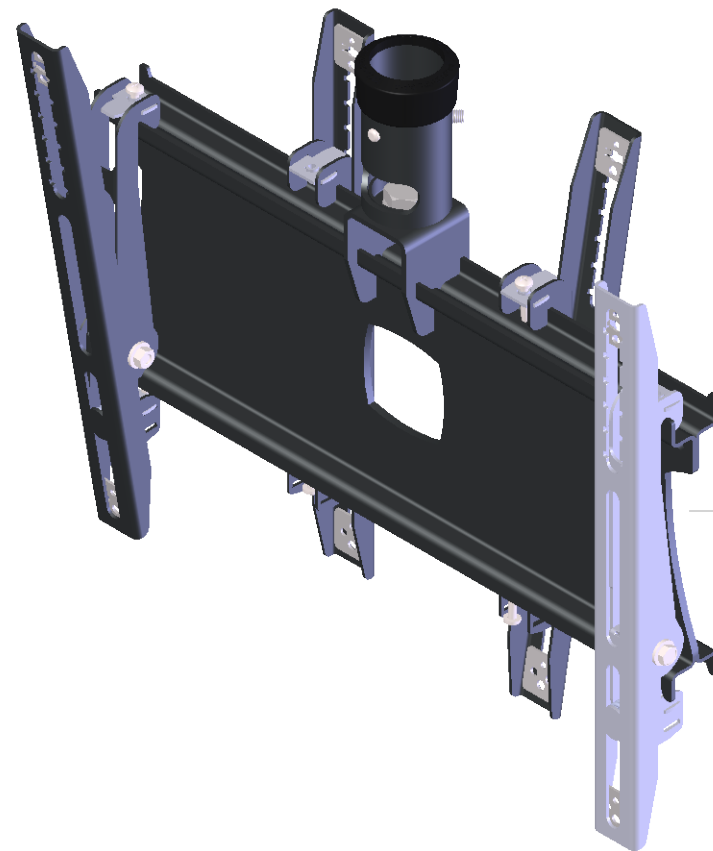
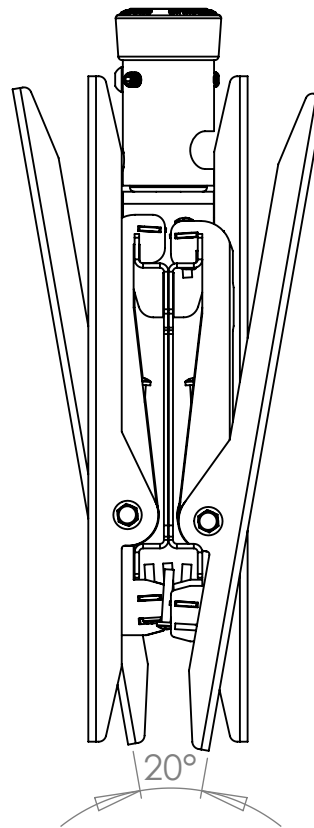
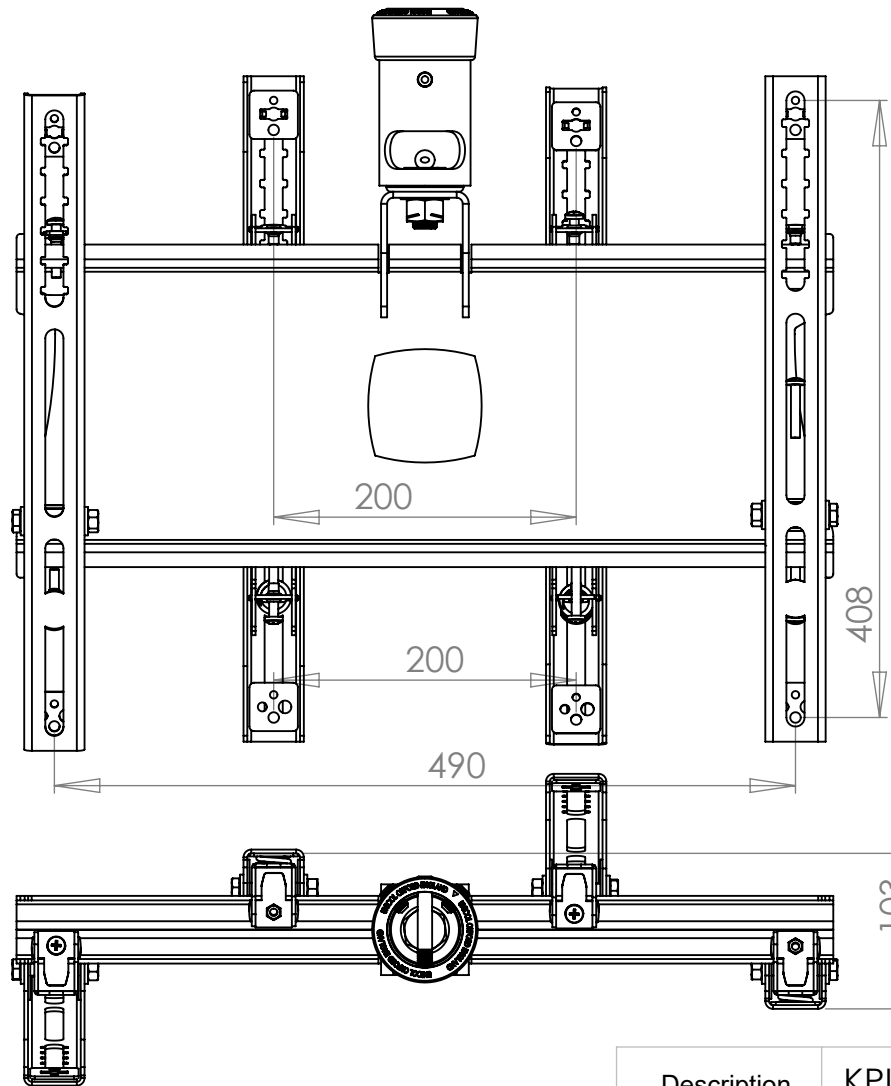


Fixings Supplied

Universal Fixing Kit



Description

KPL Type 3 Back To Back Plasma KPL3

UNLESS OTHERWISE SPECIFIED:  
DIMENSIONS ARE IN MILLIMETERS

SURFACE FINISH: Powder Coated

Created By System  
Administrator,  
Unicol Engineering  
Green Road  
Oxford OX3 8EU

Saved Date: 20 August 2021  
Created Date: 23 August 2021  
Bend Tool:

Material:

Gauge:

DRW - REV

REV -  
A-014

See Below - Special Notes

Part Number & Part Revision

Ass--20001630 REV - A-014

WEIGHT: 10.97

Kg

SCALE:1:5

DO NOT SCALE DRAWING

SHEET 1 OF 1