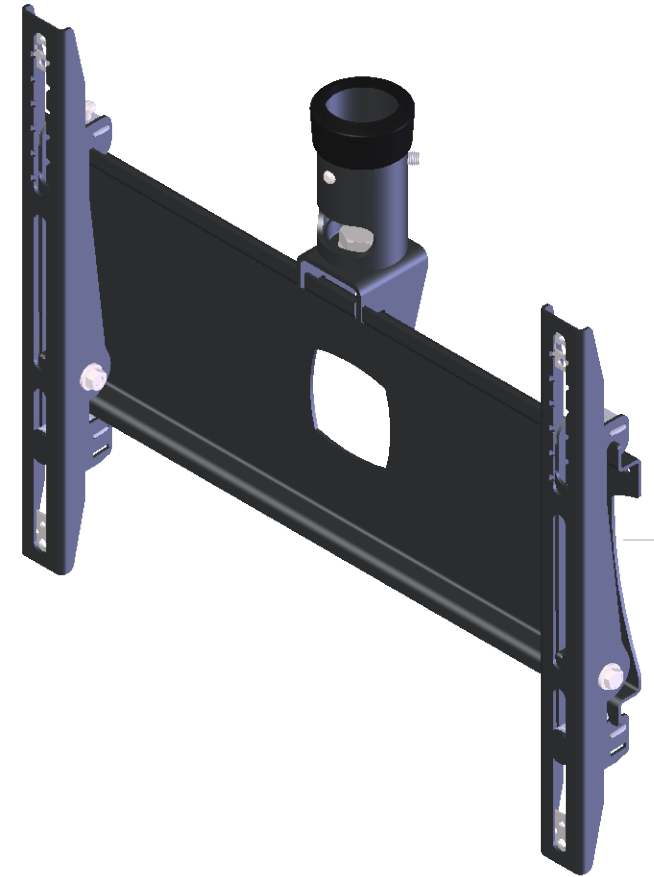
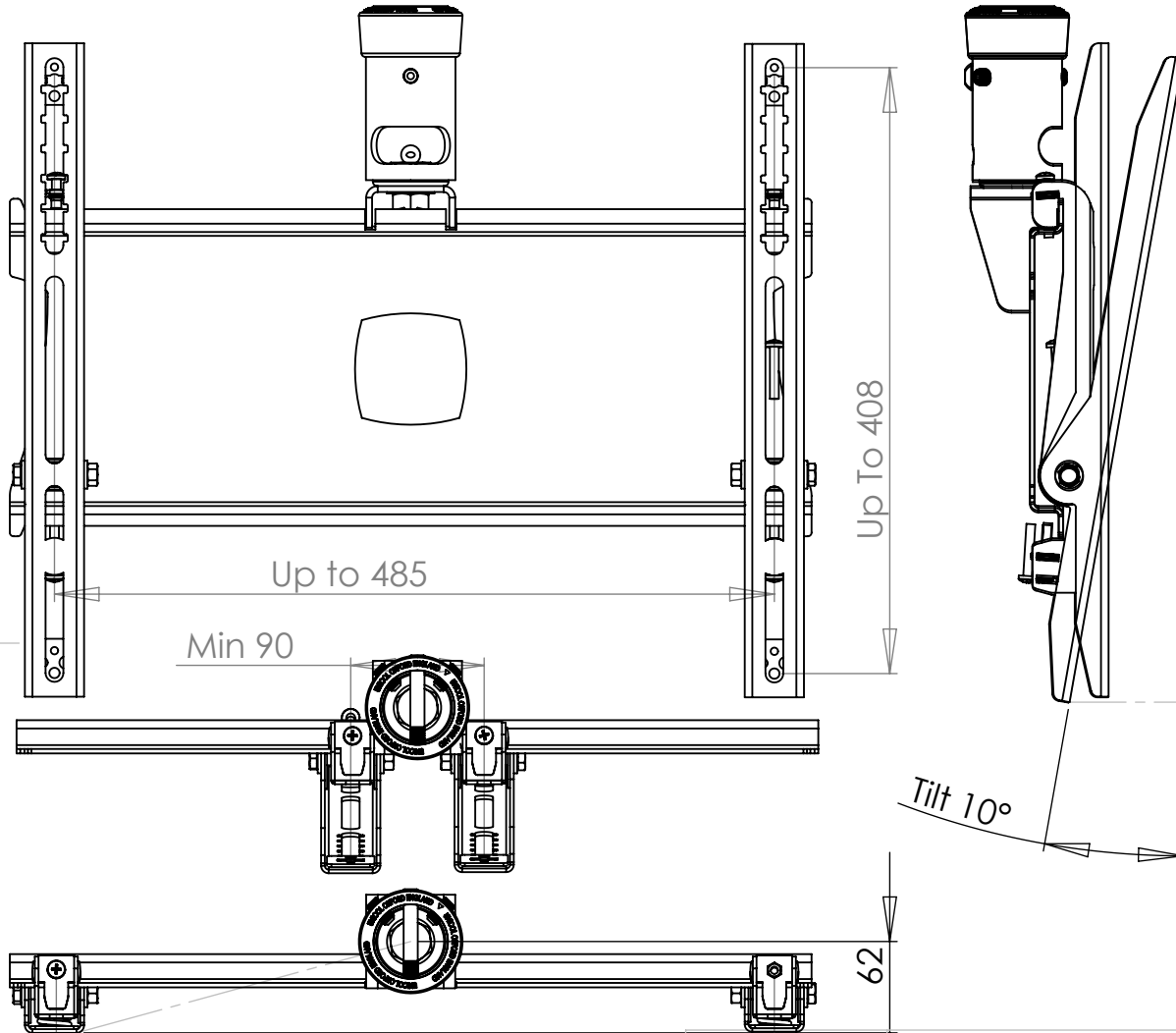


Fixings Supplied

Universal Fixing Kit



Description KPL Type 3 Single Screen Plasma KPL3

UNLESS OTHERWISE SPECIFIED:  
DIMENSIONS ARE IN MILLIMETERS

SURFACE FINISH: Powder Coated

Created By System  
Administrator,  
Unicol Engineering  
Green Road  
Oxford OX3 8EU

Saved Date: 20 August 2021  
Created Date: 23 August 2021  
Bend Tool:

Material:

Gauge:

DRW - REV  
**REV -  
A-029**

See Below - Special Notes

Part Number & Part Revision

**Ass--20001634 REV - A-029**

WEIGHT: 6.03

Kg

SCALE:1:5

DO NOT SCALE DRAWING

SHEET 1 OF 1