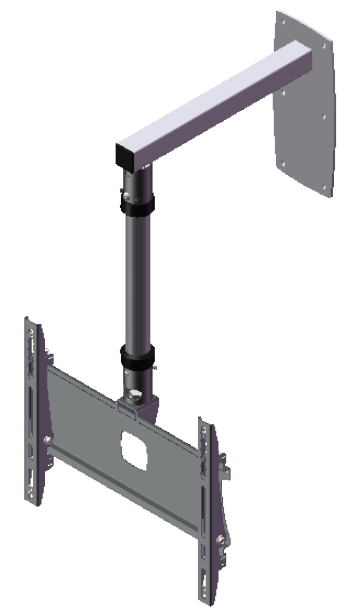
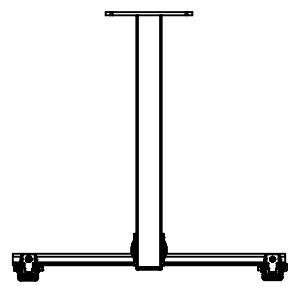
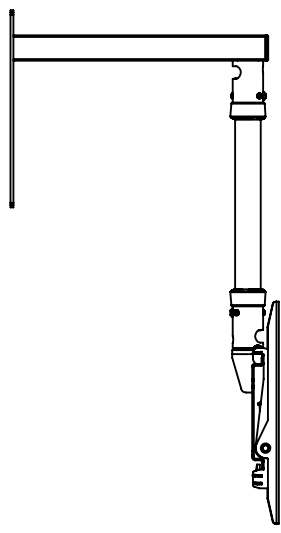
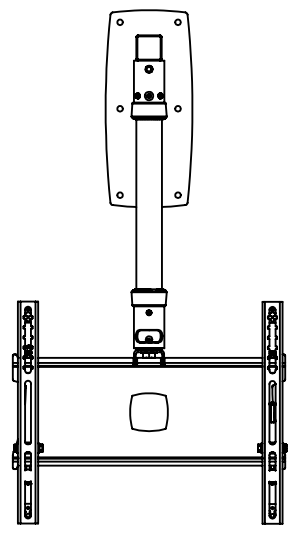


1 2 3 4 5 6

Fixings Supplied

Universal Fixing Kit



Description		Kp305wb - Kp3 - 50Cm Column - Wb2		
UNLESS OTHERWISE SPECIFIED: DIMENSIONS ARE IN MILLIMETERS	Saved Date: 07 February 2022 Created Date: 26 August 2021 Bend Tool:		DRW - REV <b>REV - A-002</b>	See Below - Special Notes
	SURFACE FINISH: Powder Coated			
Created By System Administrator Unicol Engineering Green Road Oxford OX3 8EU	Material:		Part Number & Part Revision <b>Ass--20017647 REV - A-002</b>	
	Gauge:			
WEIGHT: 12.42		Kg		SCALE:1:15 DO NOT SCALE DRAWING SHEET 1 OF 1

1 2 3 4 5 6

A

A

B

B

C

C

D