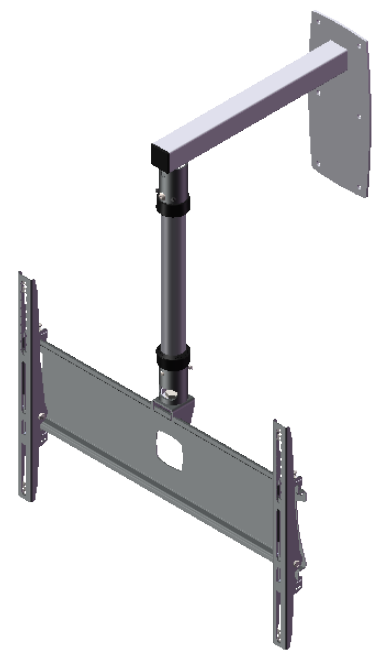
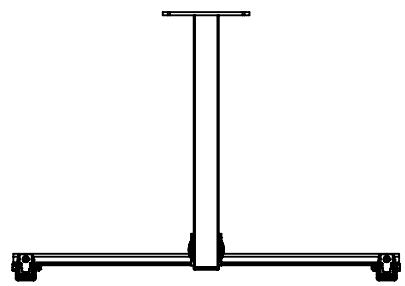
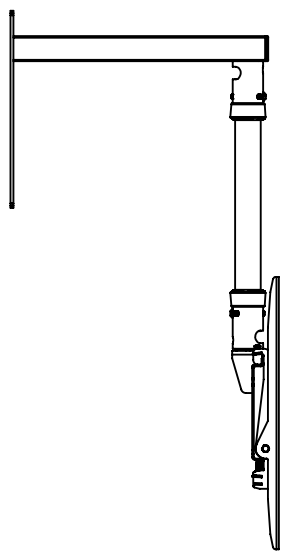
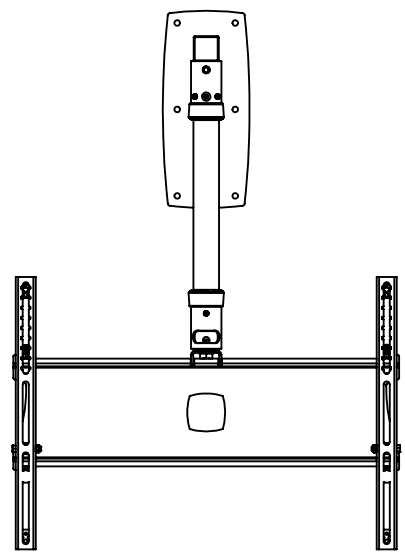


1 2 3 4 5 6

Fixings Supplied Universal Fixing Kit

A

A



B

B

C

C

D

Description		Kp105wb - Kp1 - 50Cm Column - Wb2			
UNLESS OTHERWISE SPECIFIED: DIMENSIONS ARE IN MILLIMETERS	Saved Date: 07 February 2022 Created Date: 26 August 2021 Bend Tool:		DRW - REV REV - A-002	See Below - Special Notes	
	SURFACE FINISH: Powder Coated				
Created By System Administrator Unicol Engineering Green Road Oxford OX3 8EU	Material:		Part Number & Part Revision Ass--20017642 REV - A-002		
	Gauge:				
WEIGHT: 14.06		Kg	SCALE:1:15	DO NOT SCALE DRAWING	SHEET 1 OF 1

1 2 3 4 5 6