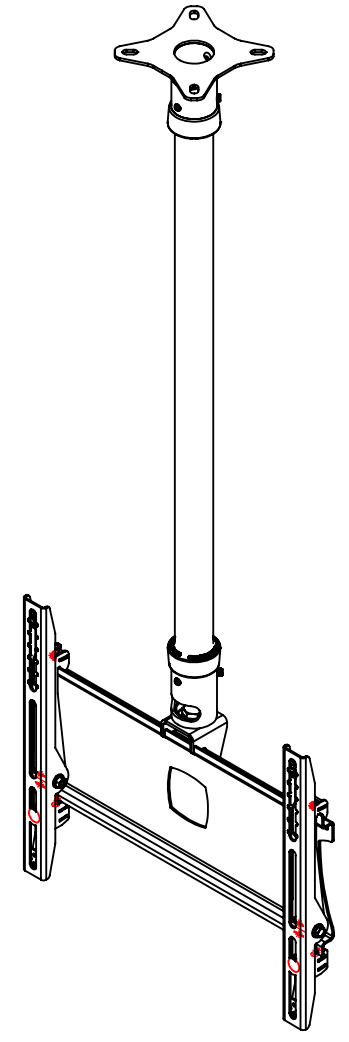
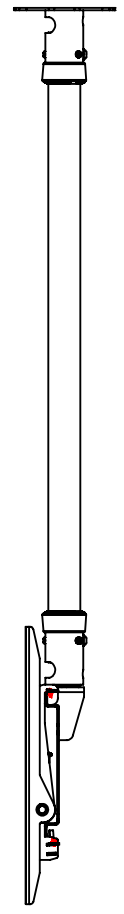
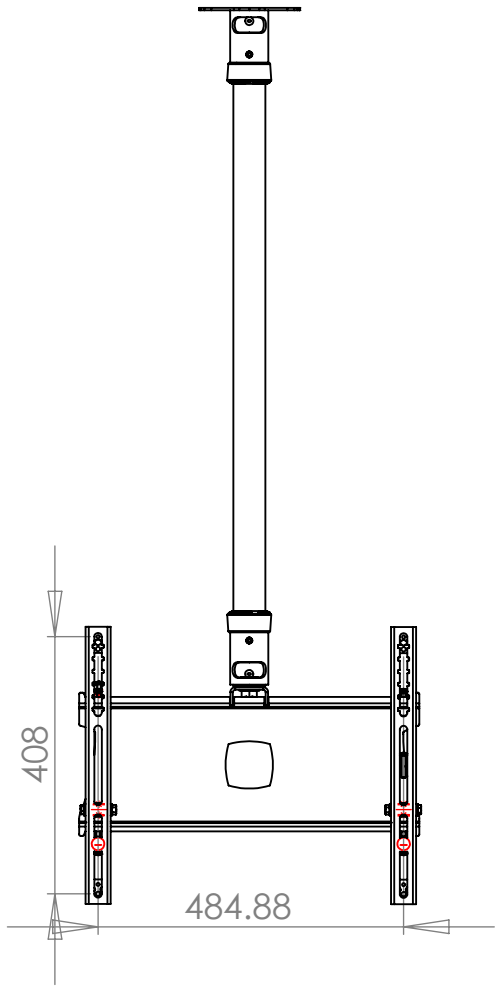


1 2 3 4 5 6

Fixings Supplied

Universal Fixing Kit



Description		Kp310cb Type 3 Single Screen Plasma Kp3 - Cp1 - 1000	
UNLESS OTHERWISE SPECIFIED: DIMENSIONS ARE IN MILLIMETERS	Created By	System Administrator	DRW - REV <b>REV - A-005</b>
	SURFACE FINISH: Powder Coated		
Created By	System Administrator	Unicol Engineering	Part Number & Part Revision <b>Ass--20013730 REV - A-005</b>
	Green Road Oxford OX3 8EU		
WEIGHT: 8.97		Kg	SCALE:1:20 DO NOT SCALE DRAWING SHEET 1 OF 1