

1

2

3

4

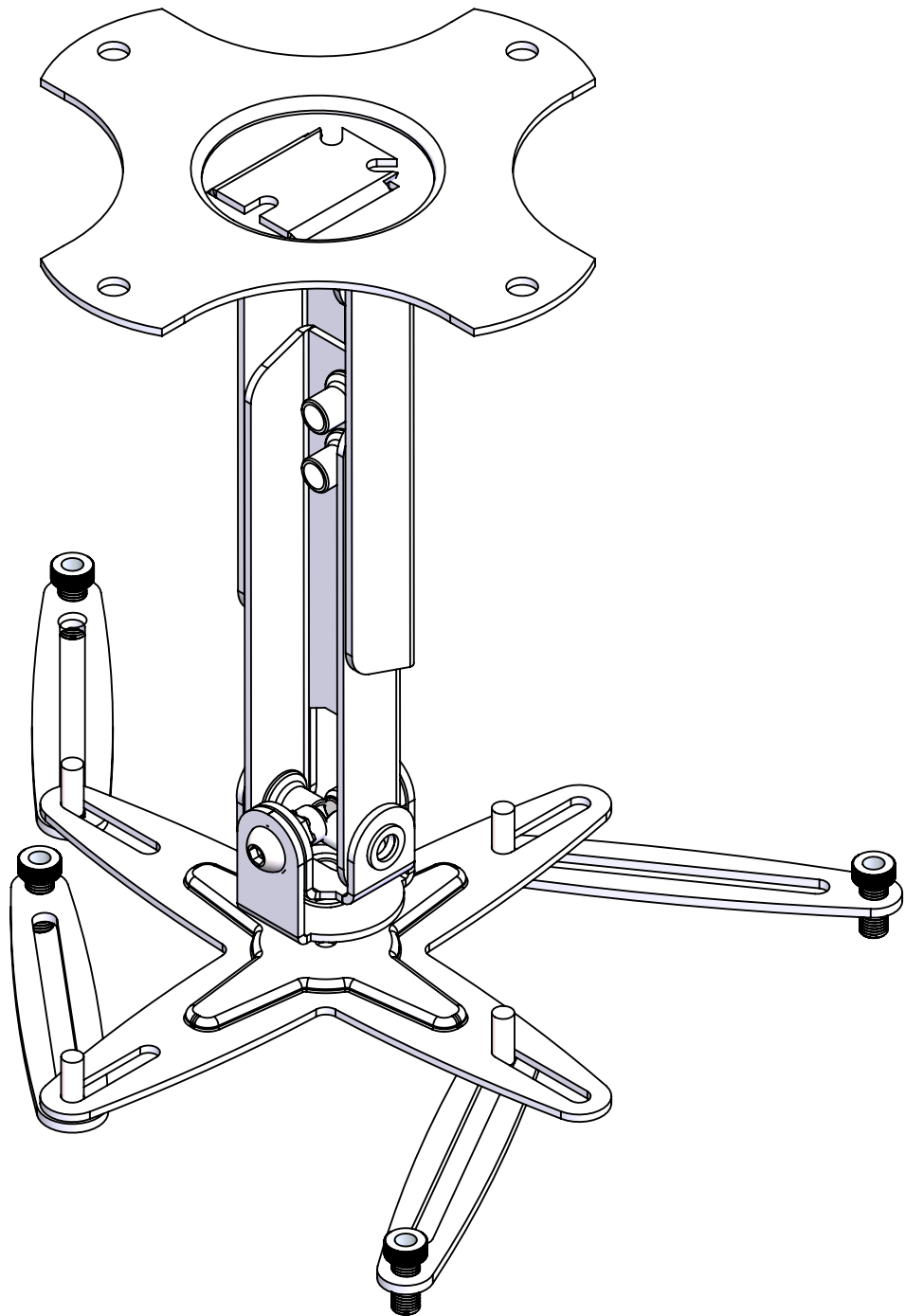
A

B

C

D

E



F

Unicol Engineering Green Road Oxford OX3 8EU		Material MILD STEEL	Description: GKE1 Budget Universal Gyrolock 23 to 30 cm		
REVISION	A-002	Drawn Date 22/04/2009	Mod Date 05/02/2018	Bend & Machine Number:	
Drawn By	Ricky Clark	Gauge:	DWG NO.	Ass--20006553	
UNLESS OTHERWISE SPECIFIED: DIMENSIONS ARE IN MILLIMETER SURFACE FINISH: Powder Coated		WEIGHT: 1.48	KG	SCALE:1:2	DO NOT SCALE DRAWING
					SHEET 1 OF 1
					A4