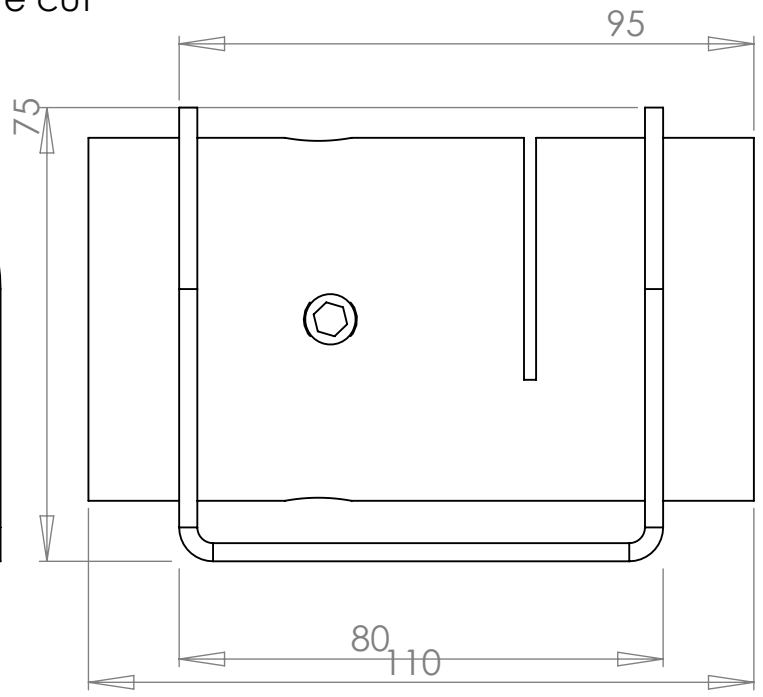
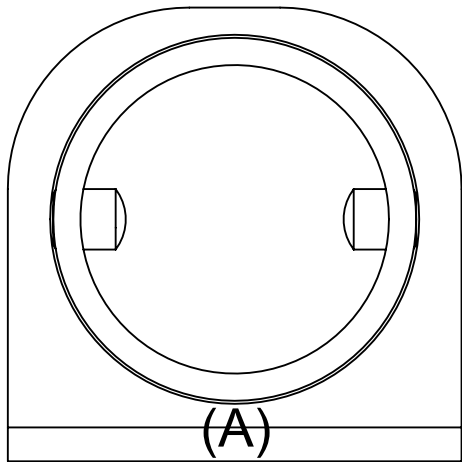


Instructions

A

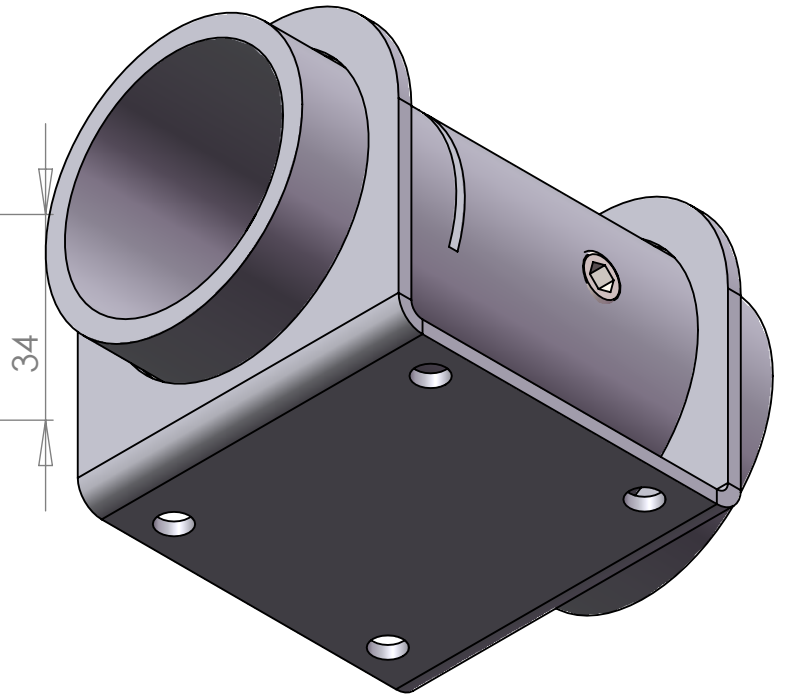
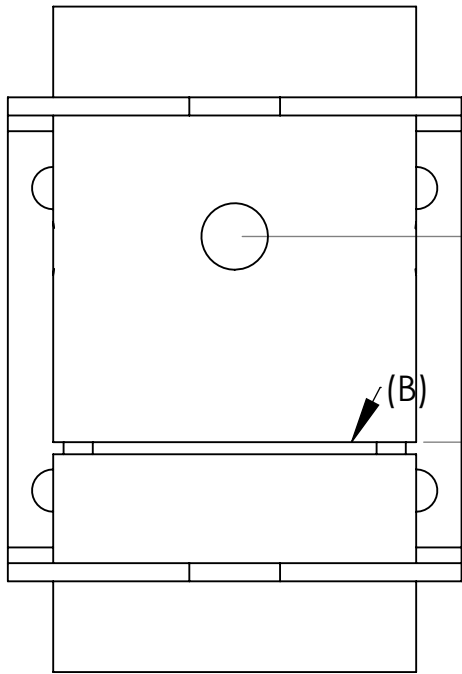
1. Clamp jig firmly in vice
2. slide column through jig direction (A)
3. measure length from (B) to end of column
4. clamp column using socket screws
5. drill column passing through both sides
6. remove drill from chuck and put through column and jig as retainer pin
7. cut column using appropriate hack saw blade
8. once slightly pass half way through column diameter, rotate column and complete cut

B



C

D



E

F

Unicol Engineering Green Road Oxford OX3 8EU		FINISH:		TITLE: Column Drilling Jig	
REVISION	C-004	Drawn Date	Note		
Drawn By	Ricky Clark	07/02/08	MATERIAL:	DWG NO.	Ass--20003712
UNLESS OTHERWISE SPECIFIED: DIMENSIONS ARE IN MILLIMETERS SURFACE FINISH: Powder Coated			WEIGHT: 0.900.90	SCALE:1:1.25 DO NOT SCALE DRAWING	
				SHEET 1 OF 1	