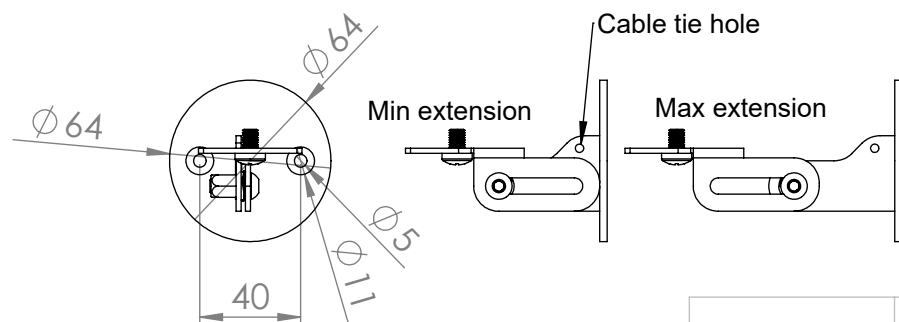
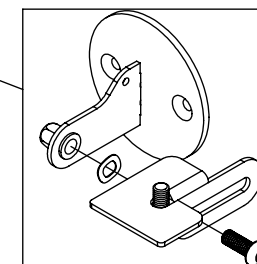
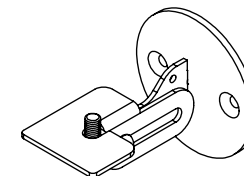
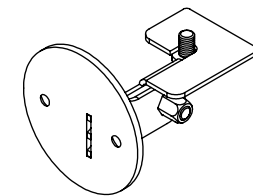
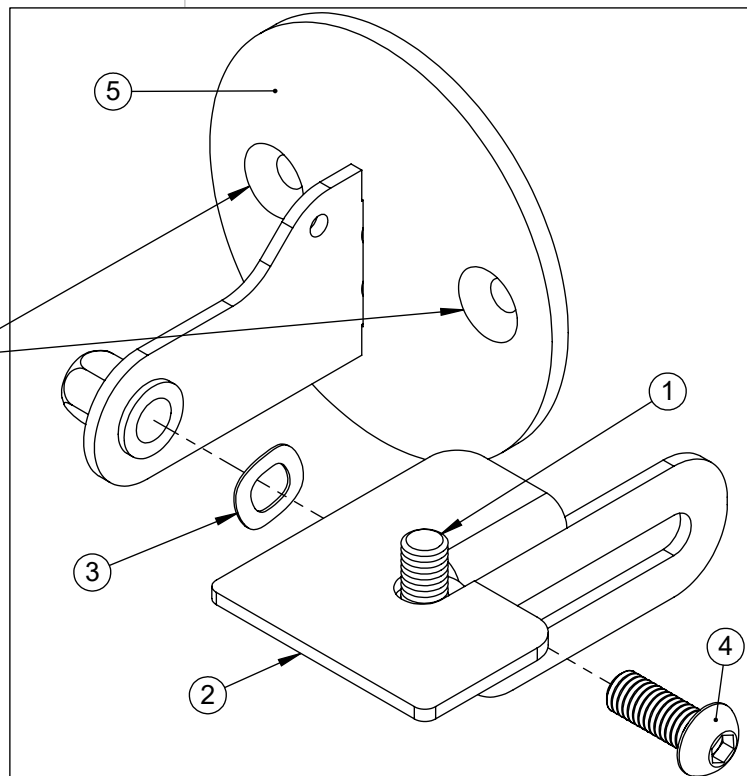


2x CSK 45°x11 ϕ x3



BOM Table			
NO	Part Number	Description	
1	PN-IMP-1_4X3_4-HT-CZLN	Pozi Pan Head 1/4 X 3/8 (High Tensile Bright Zinc Plated Clear Passivated)	1
2	PAR--2055730	Adjustable Huddly camera front mount	1
3	CW-MET-6-SS-SC	Crinkle Washer M6 (Stainless Self Colour)	1
4	BH-MET-6X16-HT-BO	Button Head Screw M6 X 16 (High Tensile Black Oxide)	1
5	ASS--20054120	Adjustable Huddly camera wall mount base arm	1

Description		WBVCA 0323 adjustable wall mount huddly	
UNLESS OTHERWISE SPECIFIED: DIMENSIONS ARE IN MILLIMETERS	Saved Date: 10 December 2019	DRW - REV REV - A-005	See Below - Special Notes
	Created Date: 04 February 2014		
SURFACE FINISH: Powder Coat	Bend Tool:	Part Number & Part Revision ASS--20054119 REV - A-005	
Created By Andrew Griffiths	Material:		
Unicol Engineering Green Road Oxford OX3 8EU	Gauge:		