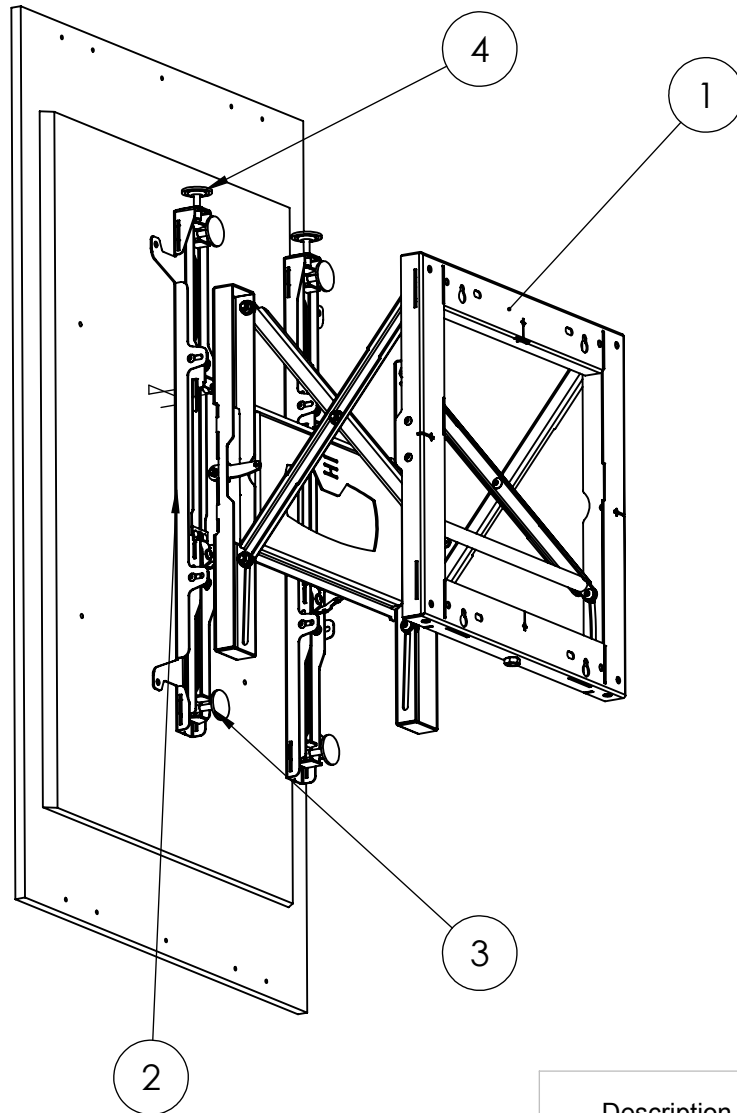


Description		Vwp2 - 400X600 - Vesa Pull Push Portrait Video Wall			
UNLESS OTHERWISE SPECIFIED: DIMENSIONS ARE IN MILLIMETERS		Mod Date	15/03/2016	REVISION	
SURFACE FINISH: Powder Coated		Drawn Date:	10/01/2013	A-004	
DRAWN Dennis Neale		Material			
Unicol Engineering Green Road Oxford OX3 8EU		Gauge			
		Bend & Machine Number		M6 X 16 Pozi 4 off , M8 X 16 Pozi 4 off	
		DWG NO.		VWP2	
WEIGHT: 11.63		Kg		A4	
SCALE:1:10		DO NOT SCALE DRAWING		SHEET 1 OF 2	

Bend Tool



Installations

1. Fit to wall (1) or other vertical surface making certain that it can support at least 5 times the intended load.
2. Fit the VWP arms (2) to the screen using the appropriate fixings
3. Extend the VWP mount by pushing the front plate to release
4. Lift the screen with the arms attached onto the front plate making certain that you have the unit securely supported by the extending wall unit prior to release
5. Push the fitted screen back and forth a few times making certain that any fitted cables are not pinched and the unit works freely
6. Make certain that if the unit is being used inline with other or in a alcove it will have some degree of space for ventilation and avoid damage to bezel by adjusting the vertical lifters (4), internal/external adjusters (3)

Description		Vwp2 - 400X600 - Vesa Pull Push Portrait Video Wall				
UNLESS OTHERWISE SPECIFIED: DIMENSIONS ARE IN MILLIMETERS	Mod Date	15/03/2016	REVISION	Bend & Machine Number		
	Drawn Date:	10/01/2013	A-004			
SURFACE FINISH: Powder Coated	DRAWN Dennis Neale		Material	DWG NO. VWP2		
	Unicol Engineering Green Road Oxford OX3 8EU		Gauge			
Bend V Tool	WEIGHT: 11.63		Kg	SCALE:1:10	DO NOT SCALE DRAWING	SHEET 2 OF 2