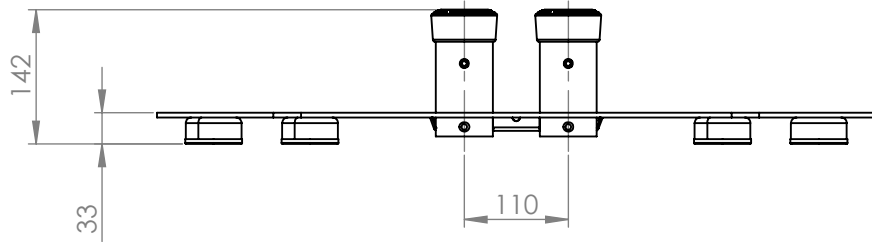
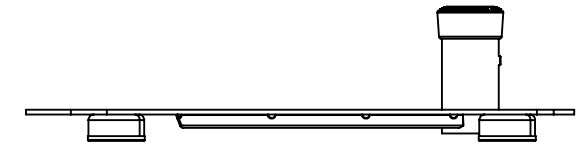


1 2 3 4 5 6

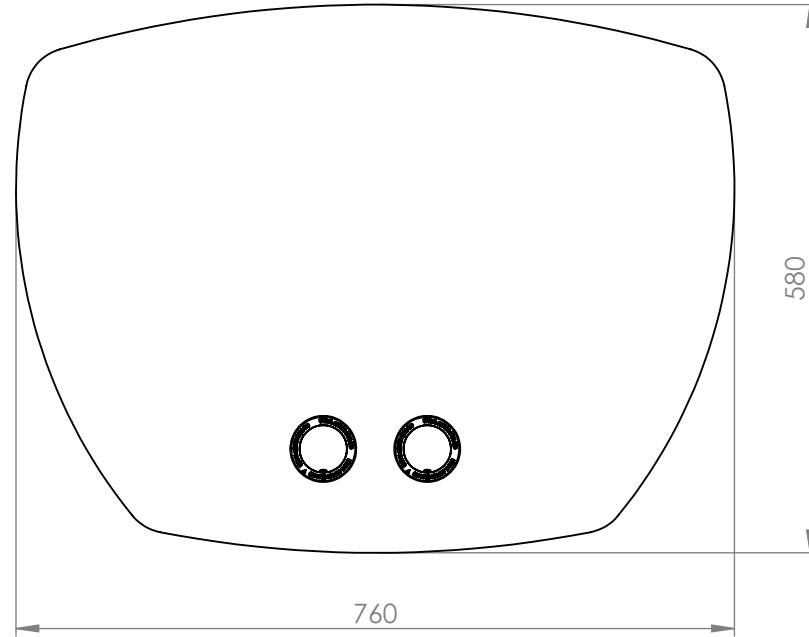
A



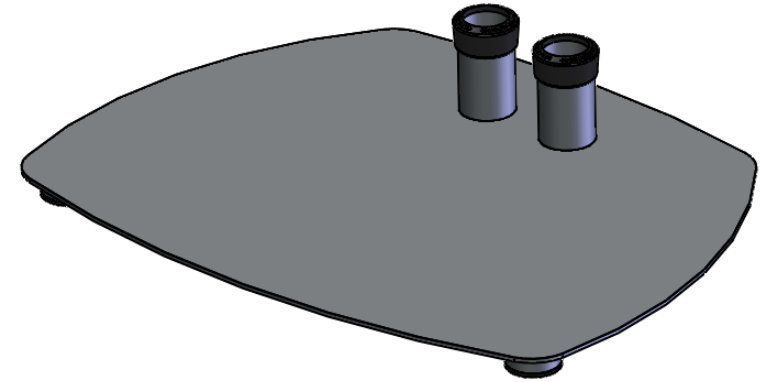
A



B



B



C

C

D

|  |  |                               |            |                    |                       |
|--|--|-------------------------------|------------|--------------------|-----------------------|
| Description  |  | Vsl Vs1000 Free Standing Base |            |                    |                       |
| UNLESS OTHERWISE SPECIFIED:<br>DIMENSIONS ARE IN MILLIMETERS |  | Mod Date                      | 25/02/2016 | REVISION           | Bend & Machine Number |
| SURFACE FINISH: Powder Coated                                |  | Drawn Date:                   | 07/12/2006 | A-001              |                       |
| DRAWN Ricky Clark  |  | Material                      |            | DWG NO. <b>VSL</b> |                       |
| Unicol Engineering<br>Green Road<br>Oxford OX3 8EU           |  | Gauge                         |            |                    |                       |
| WEIGHT:  |  | Kg                            |            | SCALE:1:8          | DO NOT SCALE DRAWING  |
|  |  |                               |            | SHEET 1 OF 1       |                       |

1 2 3 4 5 6

A4