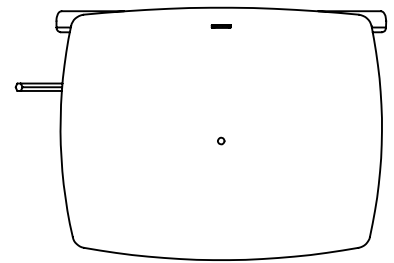
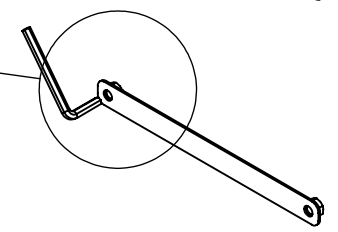
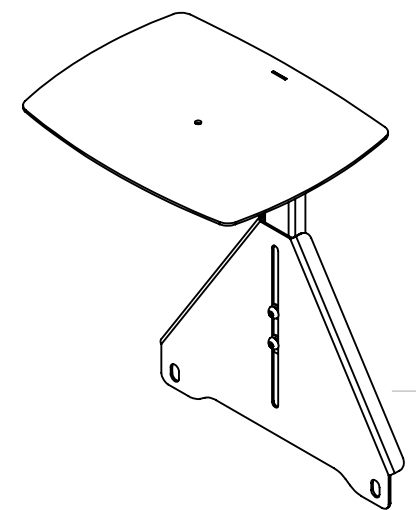
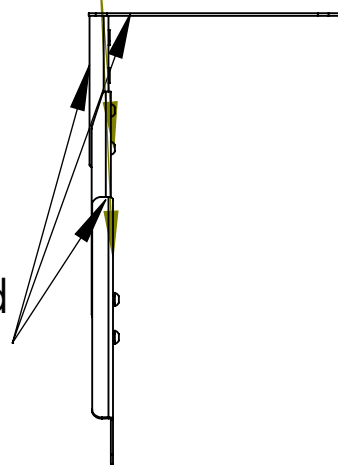
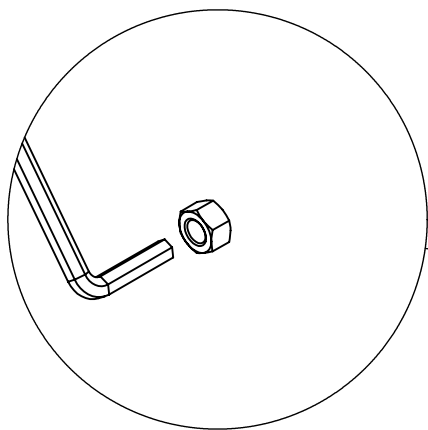
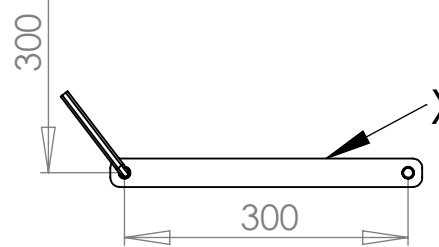
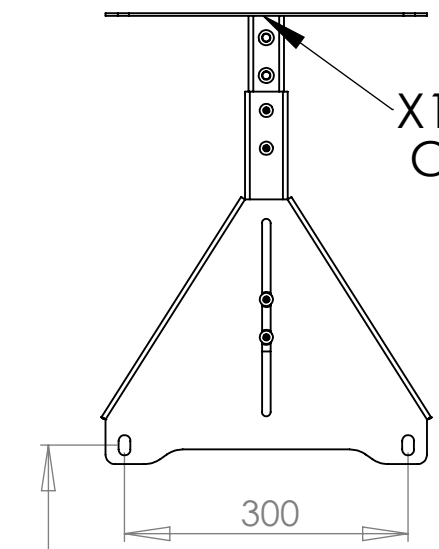


X4 M8 X 20 Button Head
Plus Allen key - 2 off M12 plus binx nuts

X1 3/8 X 1/4 UNC
Camera Screw

Standard VCM Tray And
Extending Channels

X1 Spacer Strip



Description		Axia Titan Vcm 300 Centres 36Cm X 26Cm			
UNLESS OTHERWISE SPECIFIED: DIMENSIONS ARE IN MILLIMETERS	Mod Date	20/03/2019	REVISION	Bend & Machine Number	
	Drawn Date:	16/04/2009	A-011		
SURFACE FINISH: Powder Coated	DRAWN Tim Smith		Material	DWG NO. Ass--20016553	
	Unicol Engineering Green Road Oxford OX3 8EU		Gauge		
WEIGHT:		Kg		SCALE:1:10	DO NOT SCALE DRAWING

Bend V Tool