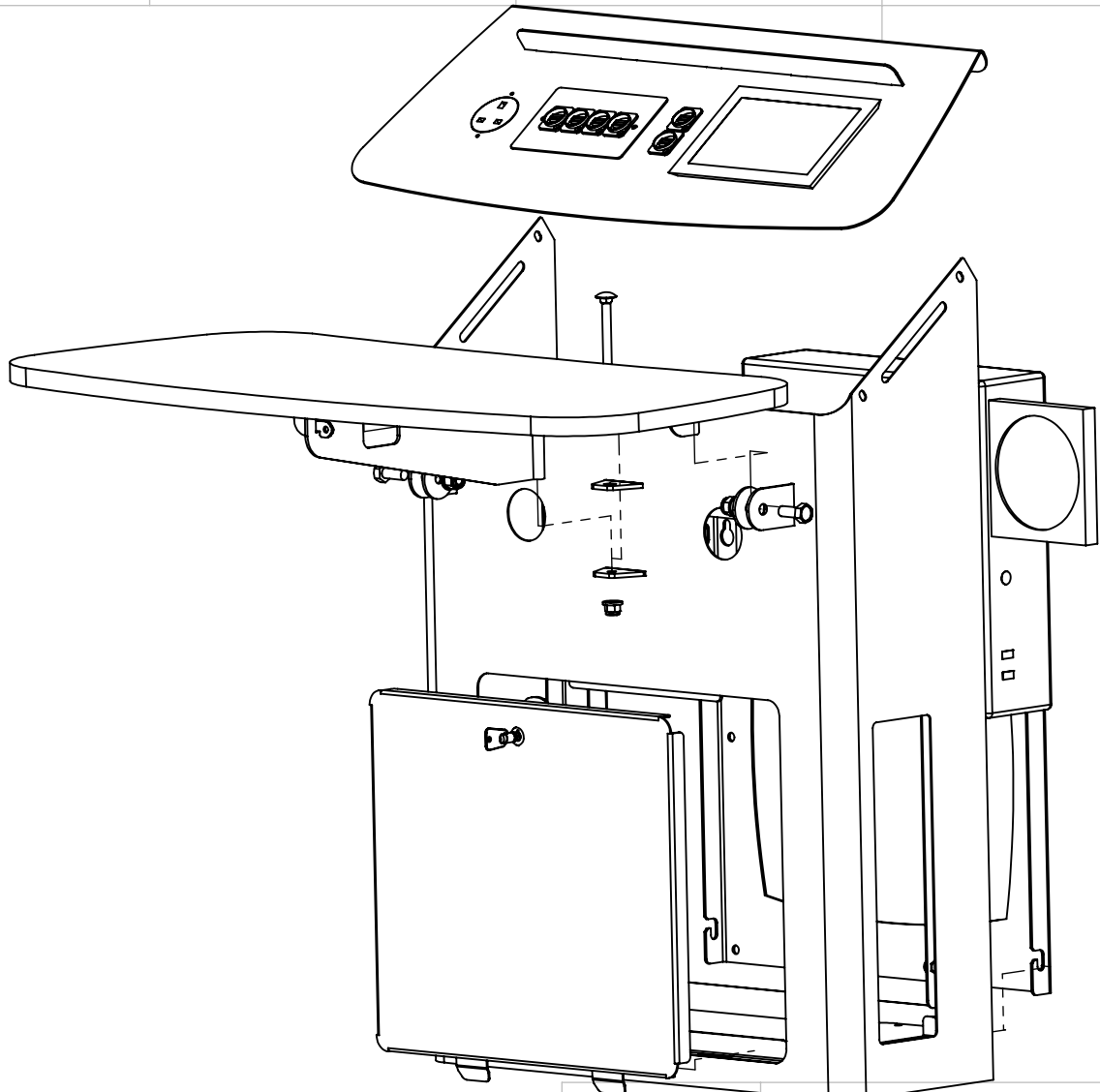


Description		Wall Mount Lectern 850 X 745 X 645			
UNLESS OTHERWISE SPECIFIED: DIMENSIONS ARE IN MILLIMETERS	Mod Date	26/01/2017	REVISION	See Below - Fixings Required	
	Drawn Date:	25/01/2017			
SURFACE FINISH: Powder Coated		Material		DWG NO. <b>UFPL08</b>	
DRAWN Ricky Clark		Gauge			
Unicol Engineering Green Road Oxford OX3 8EU		WEIGHT: 32.88		Kg	A4
		SCALE:1:10	DO NOT SCALE DRAWING	SHEET 1 OF 5	



Description **Wall Mount Lectern 850 X 745 X 645**

UNLESS OTHERWISE SPECIFIED:  
DIMENSIONS ARE IN MILLIMETERS  
SURFACE FINISH: Powder Coated

Mod Date 26/01/2017  
Drawn Date: 25/01/2017

REVISION  
**A-003**

Bend & Machine Number

DRAWN **Ricky Clark**  
Unicol Engineering  
Green Road  
Oxford OX3 8EU

Material  
Gauge

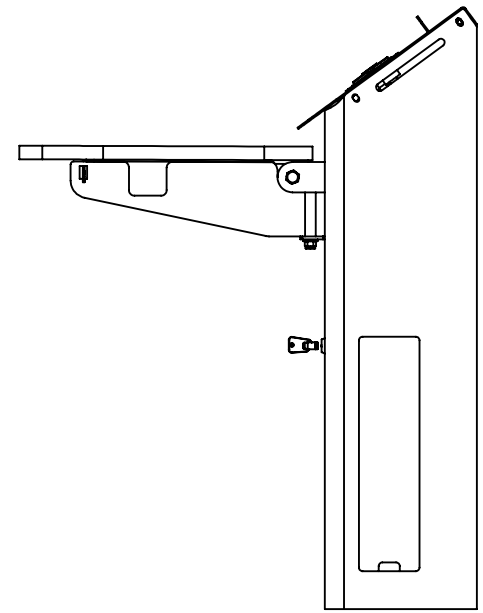
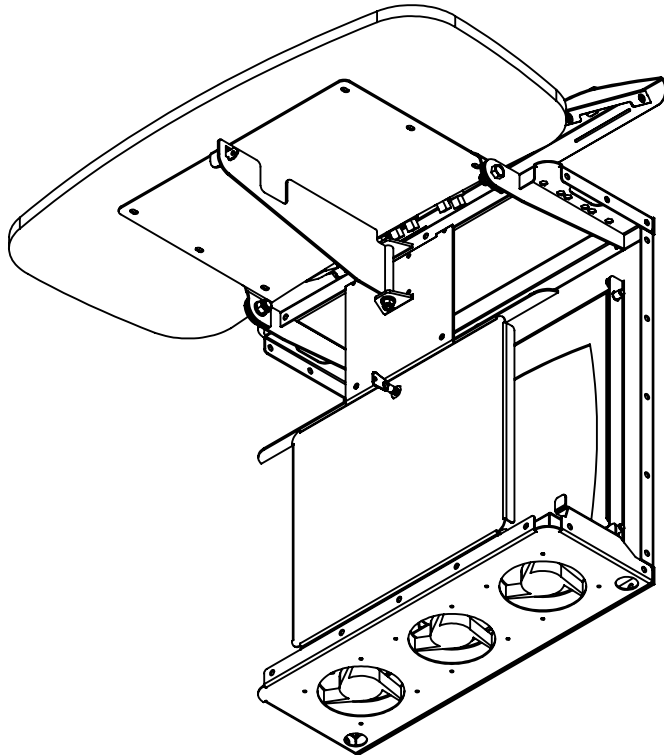
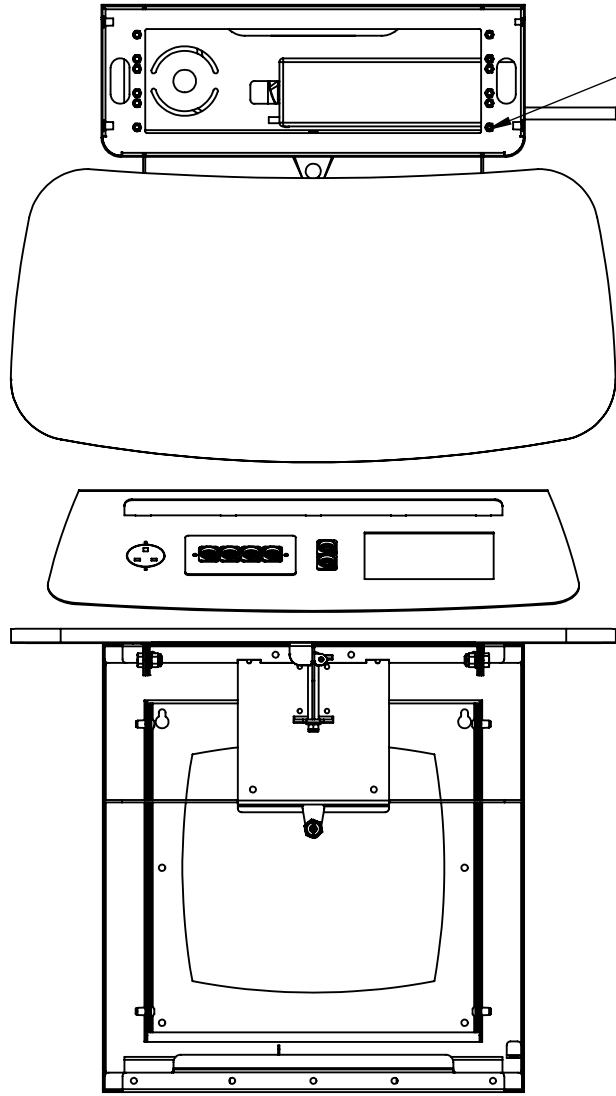
DWG NO.

**UFPL08**

A4

Bend V Tool

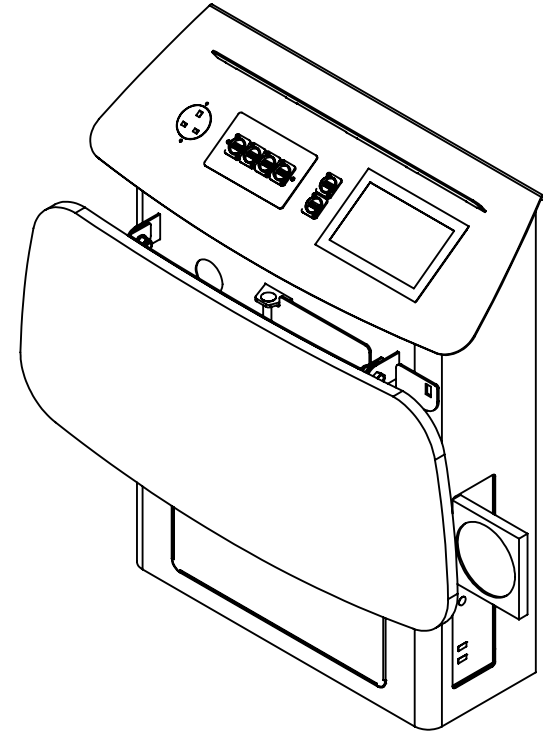
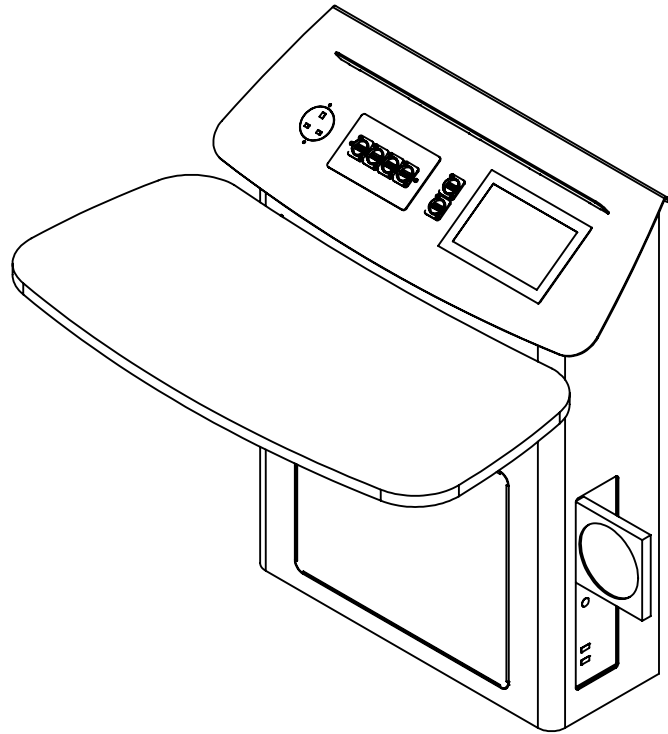
WEIGHT: 32.88 Kg



Description		Wall Mount Lectern 850 X 745 X 645			
UNLESS OTHERWISE SPECIFIED: DIMENSIONS ARE IN MILLIMETERS		Mod Date	26/01/2017	REVISION	Bend & Machine Number
		Drawn Date:	25/01/2017		
SURFACE FINISH: Powder Coated				A-003	
DRAWN	Ricky Clark	Material			
	Unicol Engineering Green Road Oxford OX3 8EU	Gauge		DWG NO.	
Bend V Tool				UFPL08	
		WEIGHT: 32.88		Kg	A4
		SCALE:1:10		DO NOT SCALE DRAWING	SHEET 3 OF 5



<b>Description</b>				<b>REVISION</b>		<b>Bend &amp; Machine Number</b>	
UNLESS OTHERWISE SPECIFIED: DIMENSIONS ARE IN MILLIMETERS		Mod Date		<b>A-003</b>			
		Drawn Date:					
SURFACE FINISH: Powder Coated		Material					
DRAWN		Gauge					
Unicol Engineering Green Road Oxford OX3 8EU				DWG NO.		<b>UFPL08</b>	
<b>Bend V Tool</b>						<b>A4</b>	



Description		Wall Mount Lectern 850 X 745 X 645			
UNLESS OTHERWISE SPECIFIED: DIMENSIONS ARE IN MILLIMETERS		Mod Date	26/01/2017	REVISION	Bend & Machine Number
		Drawn Date:	25/01/2017		
SURFACE FINISH: Powder Coated				A-003	
DRAWN <b>Ricky Clark</b>		Material			
Unicol Engineering Green Road Oxford OX3 8EU		Gauge		DWG NO.	<b>UFPL08</b>
WEIGHT: 32.88		Kg		SCALE:1:10	DO NOT SCALE DRAWING
				SHEET 5 OF 5	

Bend V Tool

A4