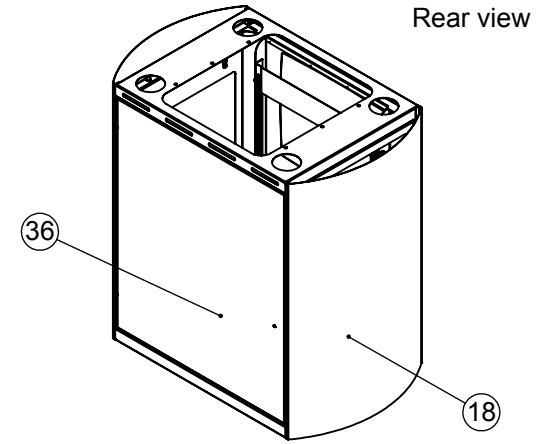
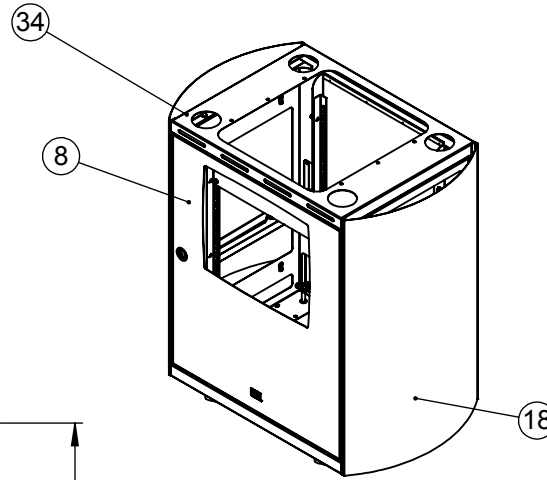
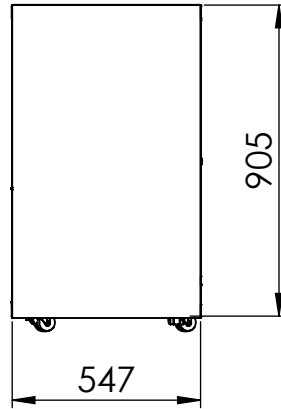
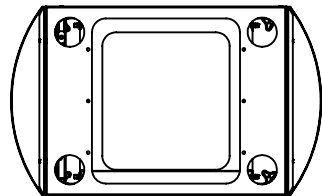
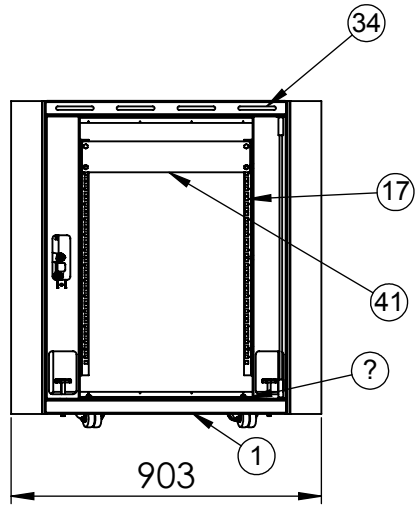
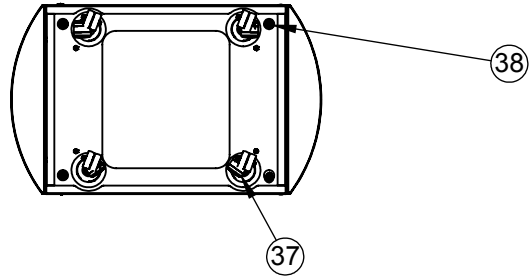


Description		Canterbury Lectern 1m Oak top 2x Single gang x1 Twin gang no arm	
UNLESS OTHERWISE SPECIFIED: DIMENSIONS ARE IN MILLIMETERS	Created Date: 08 November 2018	DRW - REV A-001	See Below - Special Notes
	Bend Tool:		
SURFACE FINISH: Powder Coated	Material:	Part Number & Part Revision ASS--20051724 REV - A-001	
Created By Andrew Griffiths	Gauge:		
Unicol Engineering Green Road Oxford OX3 8EU	WEIGHT: 42.59		Kg
		SCALE:1:20	DO NOT SCALE DRAWING
		SHEET 1 OF 2	



Description		UFCL - Canterbury Lecturn Pro Plus		
UNLESS OTHERWISE SPECIFIED: DIMENSIONS ARE IN MILLIMETERS	Mod Date	26/09/2018	REVISION	See Below - Fixings Required
	Drawn Date:	19/07/2011		
SURFACE FINISH: Powder Coated		Material		DWG NO. ASS--20027315
DRAWN Andrew Griffiths		Gauge		
Unicol Engineering Green Road Oxford OX3 8EU		WEIGHT: 27.85		A4
		Kg		SCALE:1:22 DO NOT SCALE DRAWING SHEET 2 OF 2