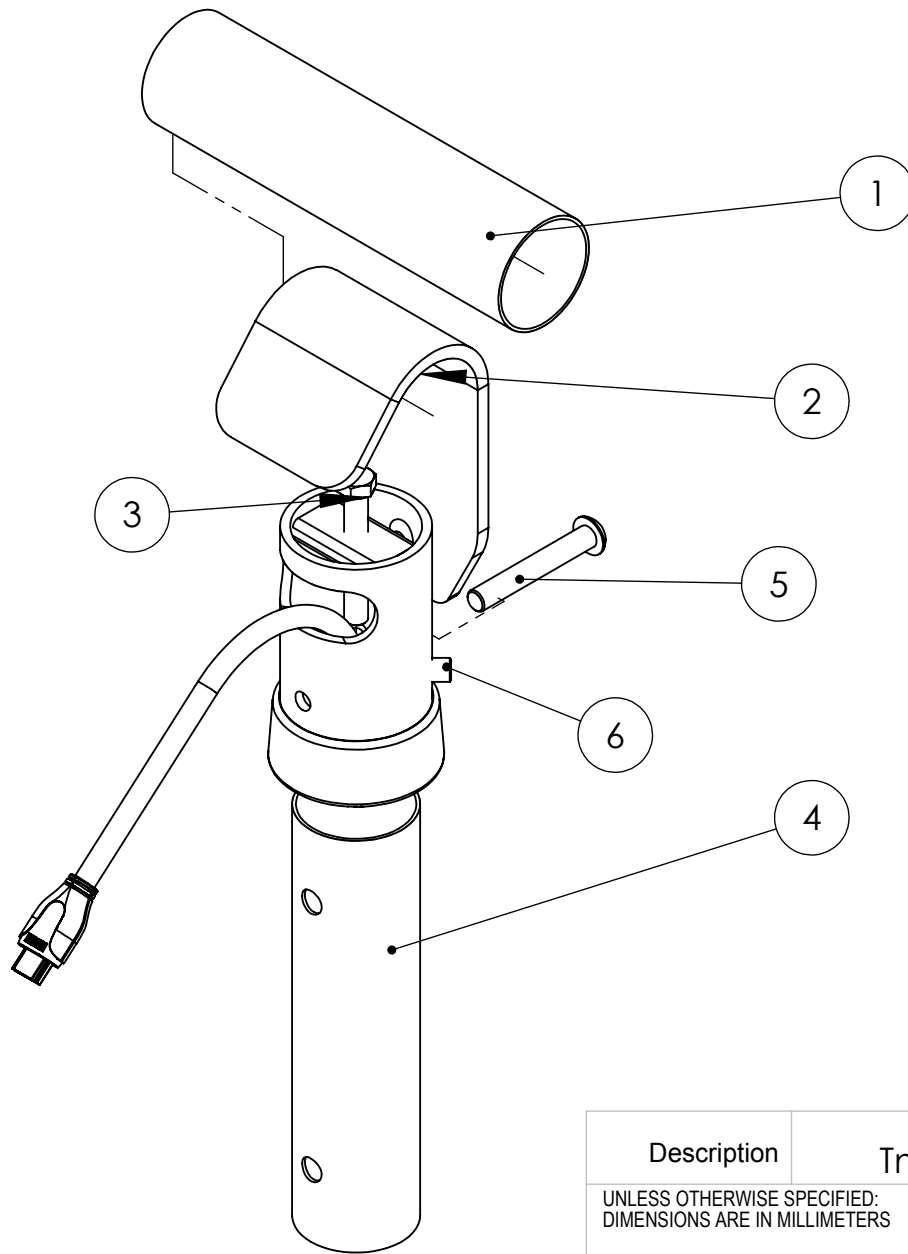


Bend Tool

Description		Tm05 Tube Clamp Mount			
UNLESS OTHERWISE SPECIFIED: DIMENSIONS ARE IN MILLIMETERS		Mod Date	07/03/2016	REVISION	Bend & Machine Number
SURFACE FINISH: Powder Coated		Drawn Date:	22/02/2007	A-002	
DRAWN	Specials Three	Material			DWG NO.
Unicol Engineering Green Road Oxford OX3 8EU		Gauge			
		WEIGHT:	Kg	SCALE:1:2	DO NOT SCALE DRAWING
				DWG NO.	TM05
					A4
		SHEET 1 OF 2			



Ensure that the ceiling tube 1 can support five times the load - (screen including all bracketry and peripherals).
 1. Hook plate (2) over support tube (1) - Consult your builder or architect if in doubt.
 3. Using a spanner tighten the clamp bolt (3) to the underneath of the support tube (1)
 4. Route cables through aperture in socket and through column before fixing column. Insert column (4) into socket and pass through the safety through bolt to fasten together - nip up grub screws (6).

Description		Tm05 Tube Clamp Mount		
UNLESS OTHERWISE SPECIFIED: DIMENSIONS ARE IN MILLIMETERS	Mod Date	07/03/2016	REVISION	Bend & Machine Number
	Drawn Date:	22/02/2007	A-002	
SURFACE FINISH: Powder Coated	DRAWN Specials Three		Material	DWG NO. TM05
Unicol Engineering Green Road Oxford OX3 8EU	Gauge			
WEIGHT:		Kg		A4
SCALE:1:3		DO NOT SCALE DRAWING		SHEET 2 OF 2

Bend V Tool

1

2

3

WEIGHT:

Kg

SCALE:1:3

DO NOT SCALE DRAWING

SHEET 2 OF 2

TM05

A4