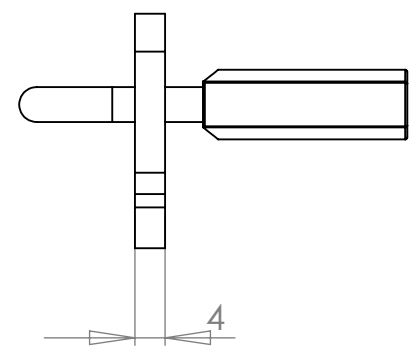
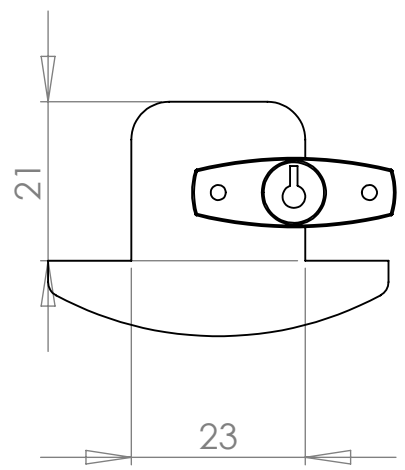


1 2 3 4 5 6

A

A

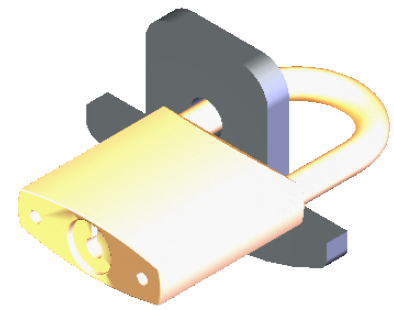
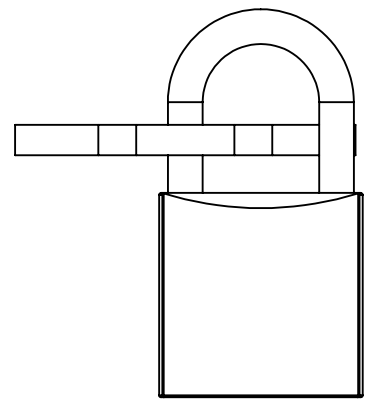


B

B

C

C



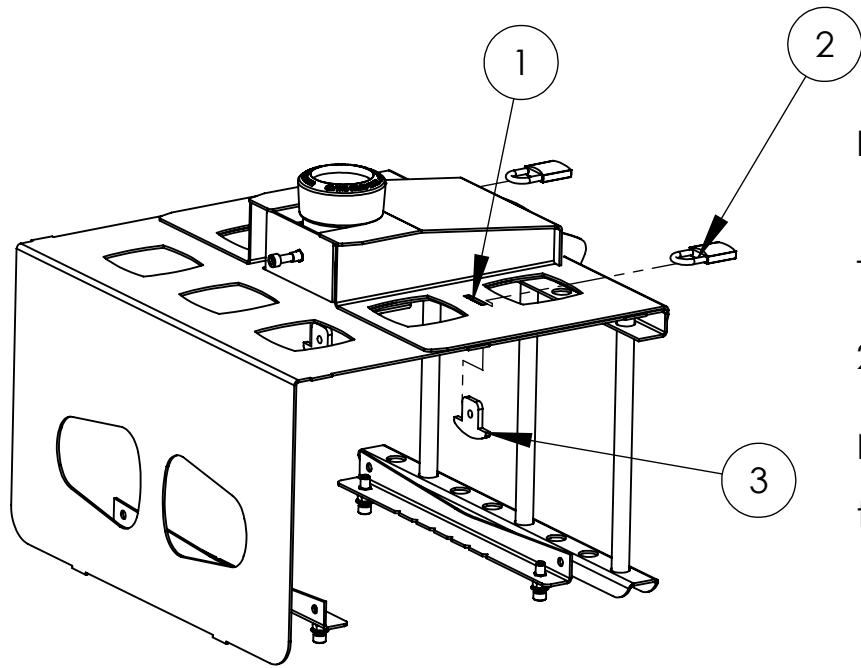
D

Bend Tool

Description		Tlk Taglock Kit			
UNLESS OTHERWISE SPECIFIED: DIMENSIONS ARE IN MILLIMETERS		Mod Date	22/11/2018	REVISION	Bend & Machine Number
SURFACE FINISH: Powder Coated		Drawn Date:	18/12/2007	A-004	
DRAWN	Ricky Clark	Material			
Unicol Engineering Green Road Oxford OX3 8EU		Gauge			DWG NO.
				TLK	
				A4	
		WEIGHT:		Kg	
		SCALE:1:1		DO NOT SCALE DRAWING SHEET 1 OF 2	

1 2 3 4 5 6

Guard box Not Included
Shown with 2 off TLK

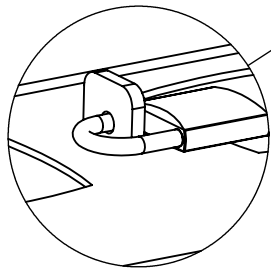
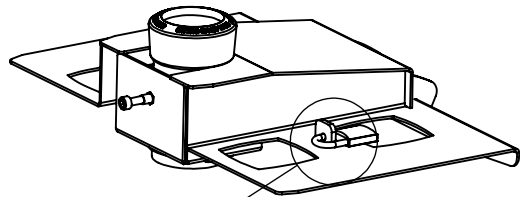


Instructions

1. Reach into fully assembled guard box and slide T plate (3) of TLK through either the left or right side slot (1)

2. Thread the open lock (2) through the hole of the exposed T plate

Note this is an additional security feature. Like all security devices they are security deterrents



Description		Tlk Taglock Kit			
UNLESS OTHERWISE SPECIFIED: DIMENSIONS ARE IN MILLIMETERS	Mod Date	22/11/2018	REVISION	Bend & Machine Number	
	Drawn Date:	18/12/2007	A-004		
SURFACE FINISH: Powder Coated		Material			
DRAWN Ricky Clark	Unicol Engineering Green Road Oxford OX3 8EU		Gauge	DWG NO.	
				TLK	
WEIGHT:		Kg		SCALE:1:6	SHEET 2 OF 2

Bend V Tool

A4