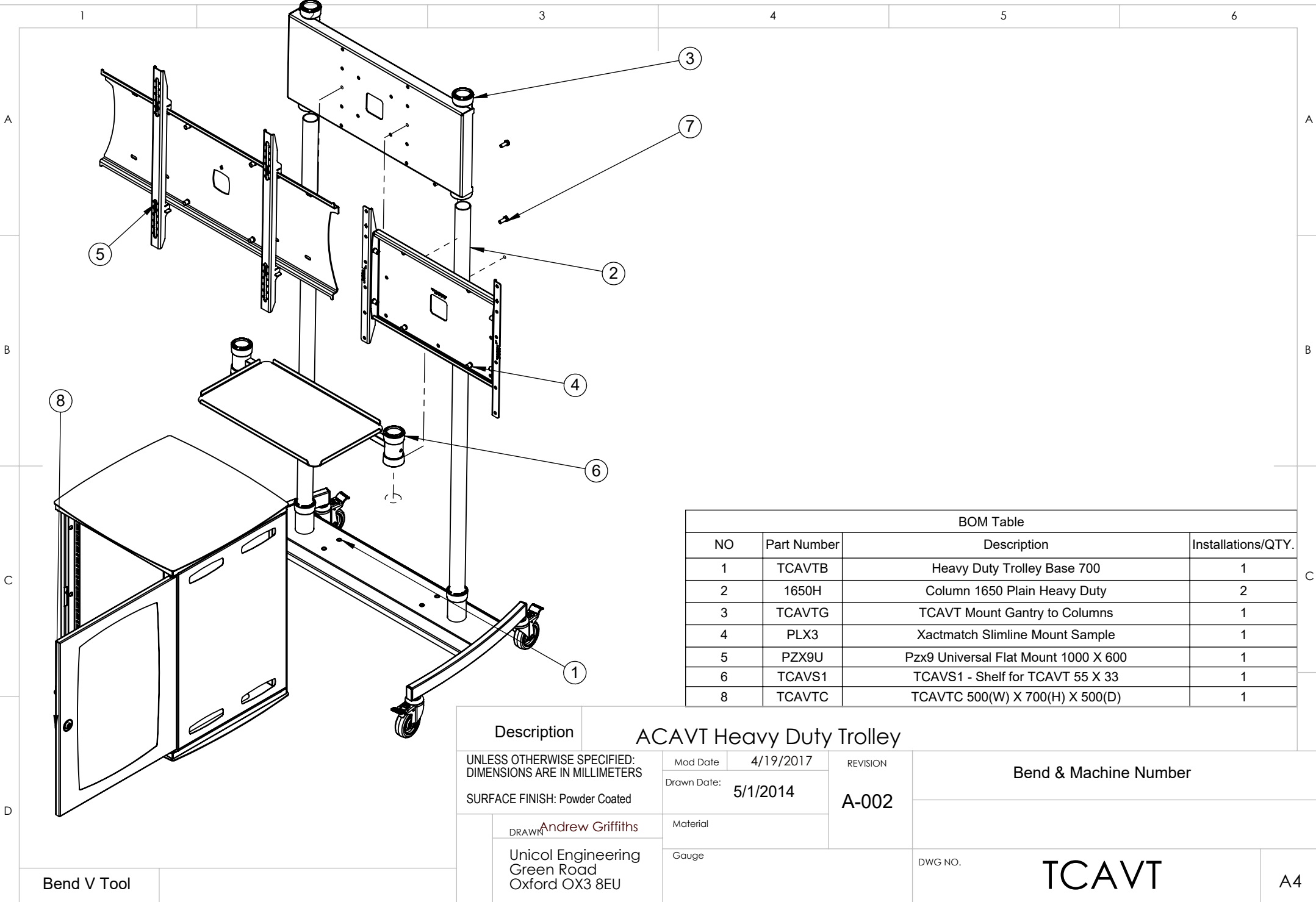


Description		ACAVT Heavy Duty Trolley		
UNLESS OTHERWISE SPECIFIED: DIMENSIONS ARE IN MILLIMETERS	Mod Date	4/19/2017	REVISION	See Below - Fixings Required
	Drawn Date:	5/1/2014		
SURFACE FINISH: Powder Coated		Material		
DRAWN Andrew Griffiths	Gauge		DWG NO.	TCAVT
	Unicol Engineering Green Road Oxford OX3 8EU			
WEIGHT: 64.80		Kg	SCALE:1:15	DO NOT SCALE DRAWING
SHEET 1 OF 2				



BOM Table			
NO	Part Number	Description	Installations/QTY.
1	TCAVTB	Heavy Duty Trolley Base 700	1
2	1650H	Column 1650 Plain Heavy Duty	2
3	TCAVTG	TCAVT Mount Gantry to Columns	1
4	PLX3	Xactmatch Slimline Mount Sample	1
5	PZX9U	Pzx9 Universal Flat Mount 1000 X 600	1
6	TCAVS1	TCAVS1 - Shelf for TCAVT 55 X 33	1
8	TCAVTC	TCAVTC 500(W) X 700(H) X 500(D)	1

Description		ACAVT Heavy Duty Trolley	
UNLESS OTHERWISE SPECIFIED: DIMENSIONS ARE IN MILLIMETERS	Mod Date	4/19/2017	REVISION A-002
	Drawn Date:	5/1/2014	
SURFACE FINISH: Powder Coated		Bend & Machine Number	
DRAWN Andrew Griffiths	Material	DWG NO. TCAVT	
	Gauge		
Unicol Engineering Green Road Oxford OX3 8EU		A4	

Bend V Tool