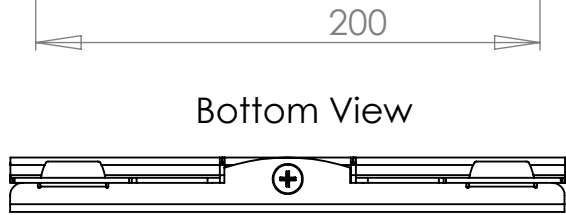
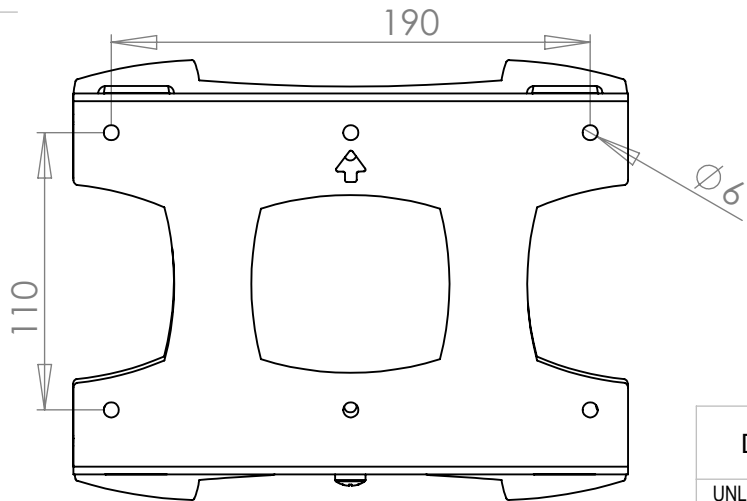


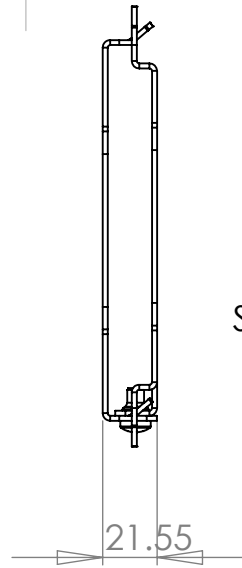
Front View



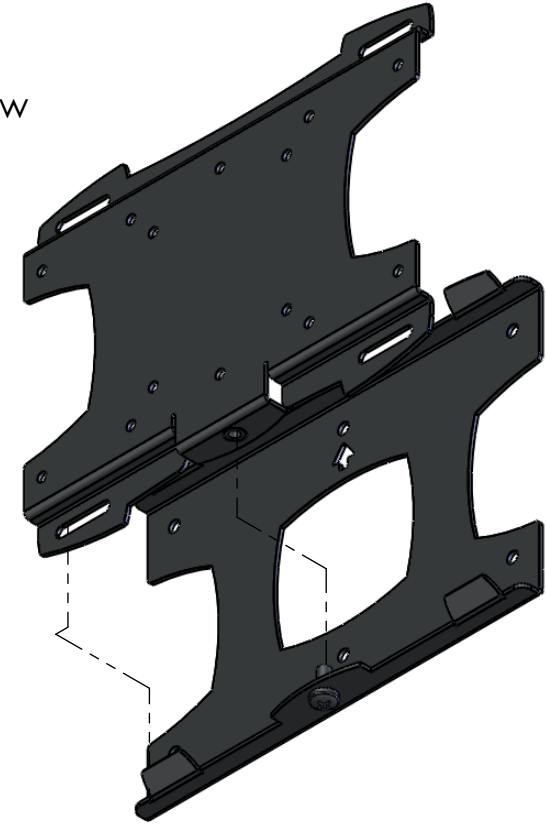
Bottom View



Rear View



Side View



Bend Tool

Description		Svc1 Clip On Wall Mount Vesa 75X75 - 100X100 - 100 X 200			
UNLESS OTHERWISE SPECIFIED: DIMENSIONS ARE IN MILLIMETERS		Mod Date	19/06/2014	REVISION	Bend & Machine Number
SURFACE FINISH: Powder Coated		Drawn Date:	04/05/2007	A-012	
DRAWN	Ricky Clark	Material			DWG NO.
Unicol Engineering Green Road Oxford OX3 8EU		Gauge			
WEIGHT:		Kg		SCALE:1:3	DO NOT SCALE DRAWING
				SHEET 1 OF 1	A4

SVC1