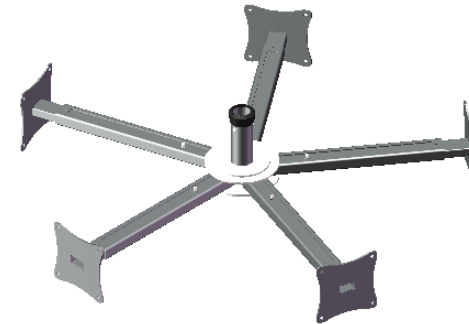
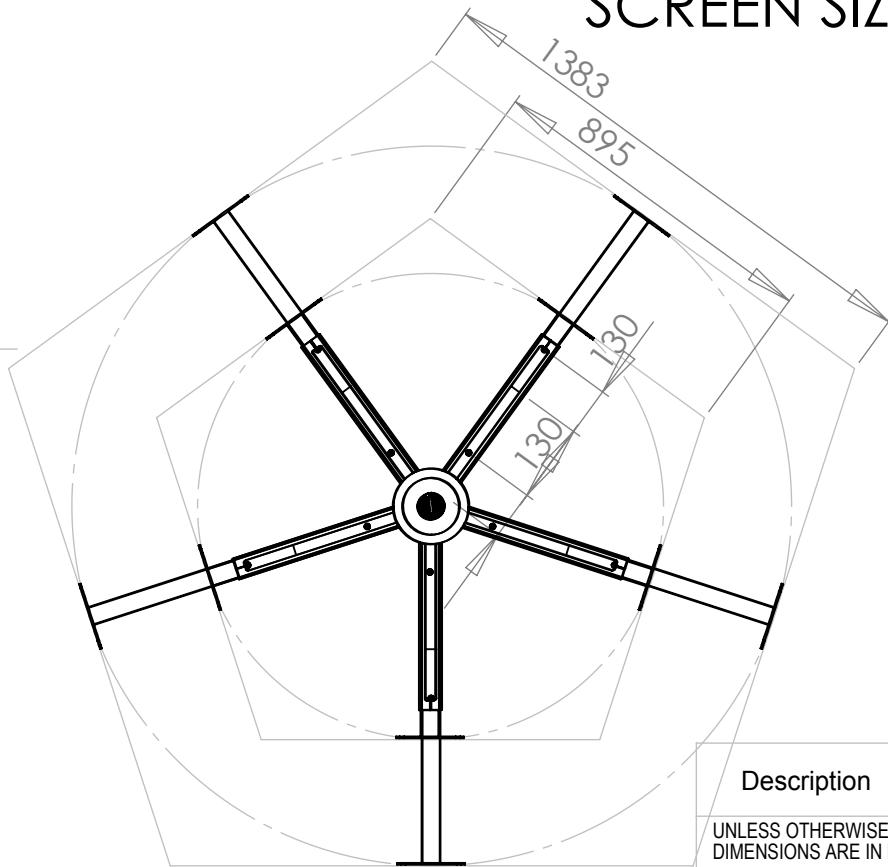


SCREEN SIZE FROM 930-----1400



Description Adjustable 5 Screen Gantry 930 -1400 Width Screens

UNLESS OTHERWISE SPECIFIED:
DIMENSIONS ARE IN MILLIMETERS

Mod Date 26/08/2015

REVISION

Bend & Machine Number

Drawn Date: 18/07/2013

A-012

SURFACE FINISH: Powder Coated

DRAWN Dennis Neale

Material

Unicol Engineering
Green Road
Oxford OX3 8EU

Gauge

DWG NO.

SG5

A4

Bend Tool

WEIGHT: 23902.68

Kg

SCALE:1:20

DO NOT SCALE DRAWING

SHEET 1 OF 1