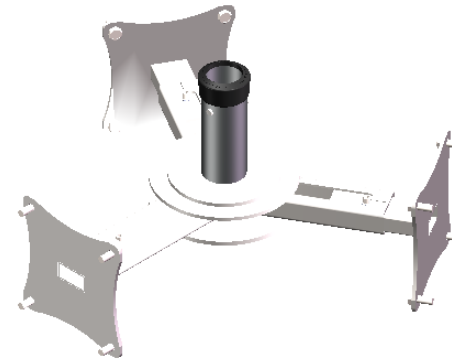
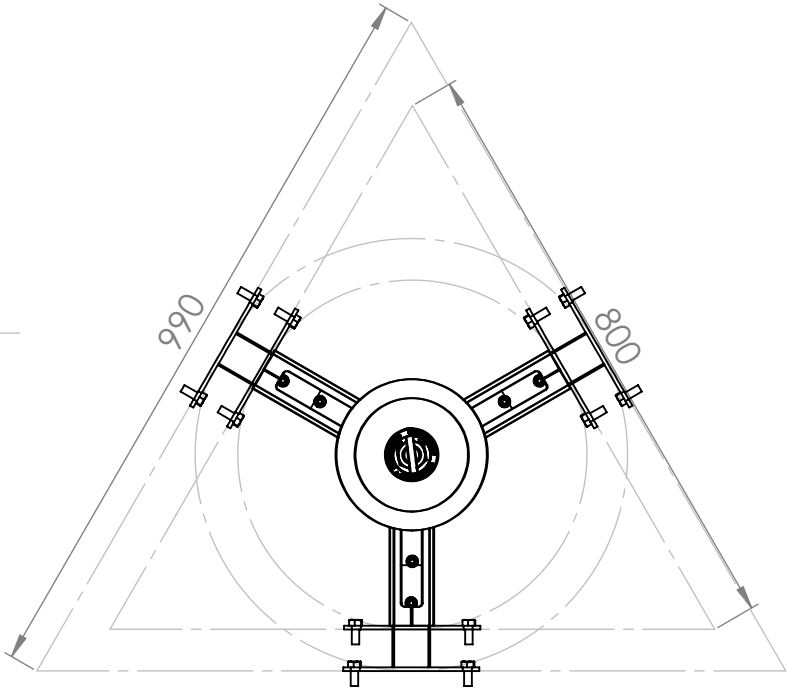


SCREEN FROM 905-----1070



Description		Adjustable 3 Screen Gantry 905 - 1070Mm Width Screens			
UNLESS OTHERWISE SPECIFIED: DIMENSIONS ARE IN MILLIMETERS		Mod Date	26/08/2015	REVISION	Bend & Machine Number
		Drawn Date:	18/07/2013	A-007	
SURFACE FINISH: Powder Coated		DRAWN Dennis Neale		Material	DWG NO. SG3
Unicol Engineering Green Road Oxford OX3 8EU		Gauge		Material	
Bend Tool		WEIGHT: 10303.58		Kg	SCALE:1:10 DO NOT SCALE DRAWING SHEET 1 OF 1

Bend Tool

A4