

1 2 3 4 5 6

A

A

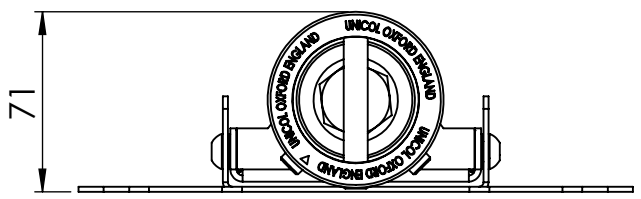
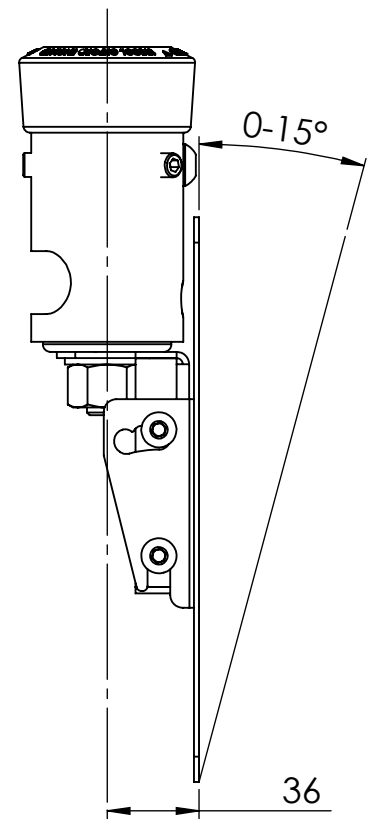
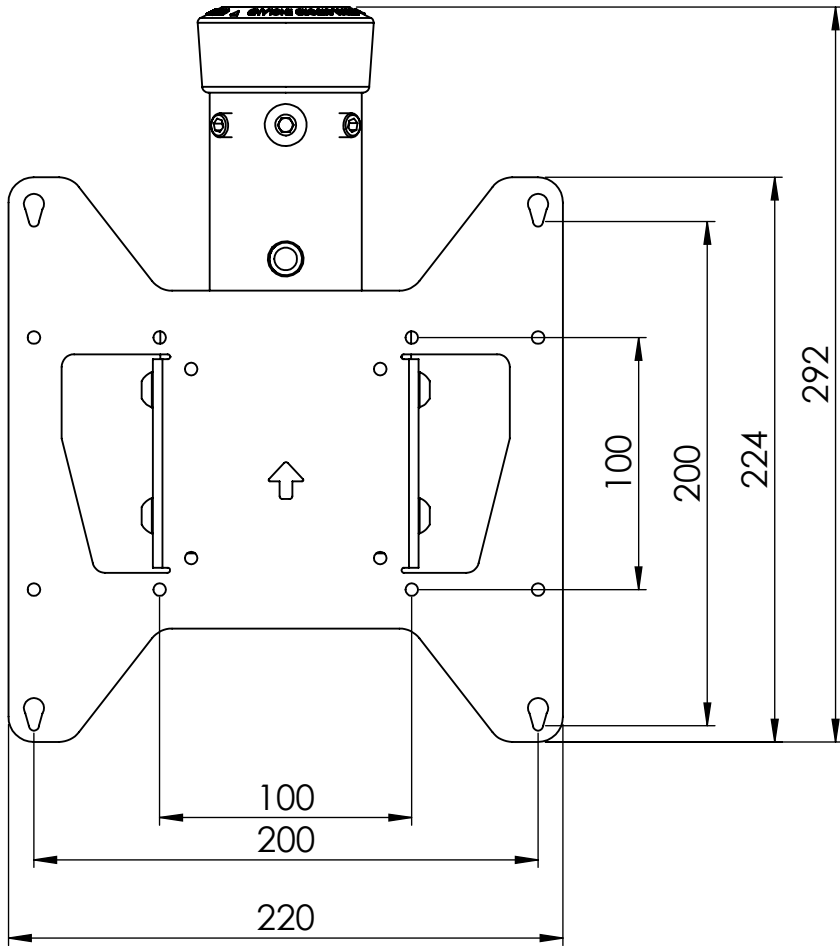
B

B

C

C

D

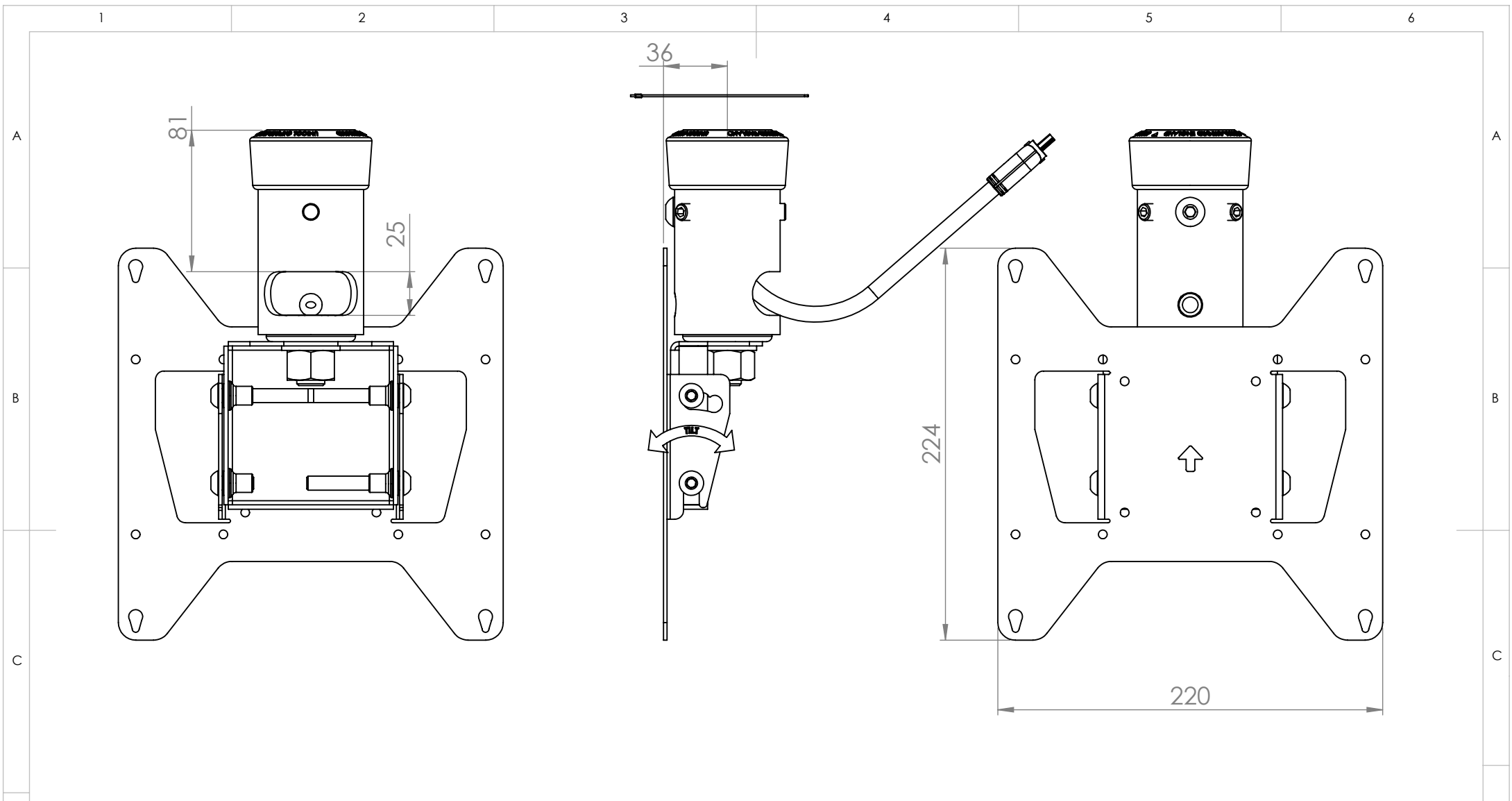


Bend Tool

1 2 3

Description		SCV1 Vesa 75 - 100 & 100 X 200 Mount			
UNLESS OTHERWISE SPECIFIED: DIMENSIONS ARE IN MILLIMETERS		Mod Date	17/01/2017	REVISION	Bend & Machine Number
SURFACE FINISH: Powder Coated		Drawn Date:	30/03/2007	A-012	
DRAWN Ricky Clark		Material			
Unicol Engineering Green Road Oxford OX3 8EU		Gauge			
		DWG NO.	SCV1		A4

WEIGHT: 824.56824.56 Kg SCALE:1:2 DO NOT SCALE DRAWING SHEET 1 OF 2



Description		SCV1 Vesa 75 - 100 & 100 X 200 Mount			
UNLESS OTHERWISE SPECIFIED: DIMENSIONS ARE IN MILLIMETERS	Mod Date	17/01/2017	REVISION	Bend & Machine Number	
	Drawn Date:	30/03/2007			
SURFACE FINISH: Powder Coated		Material		DWG NO.	
DRAWN Ricky Clark		Gauge			
Unicol Engineering Green Road Oxford OX3 8EU				SCV1	
WEIGHT: 824.56		Kg		SCALE:1:3	DO NOT SCALE DRAWING
				SHEET 2 OF 2	

Bend V Tool