

1 2 3 4 5 6

A

B

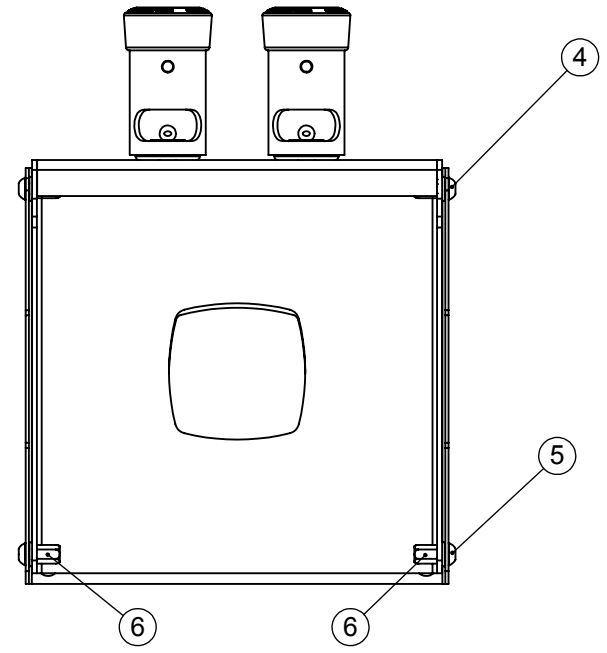
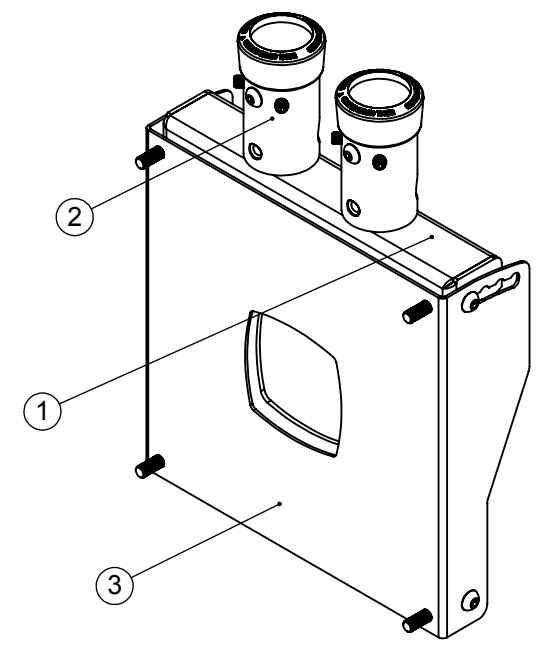
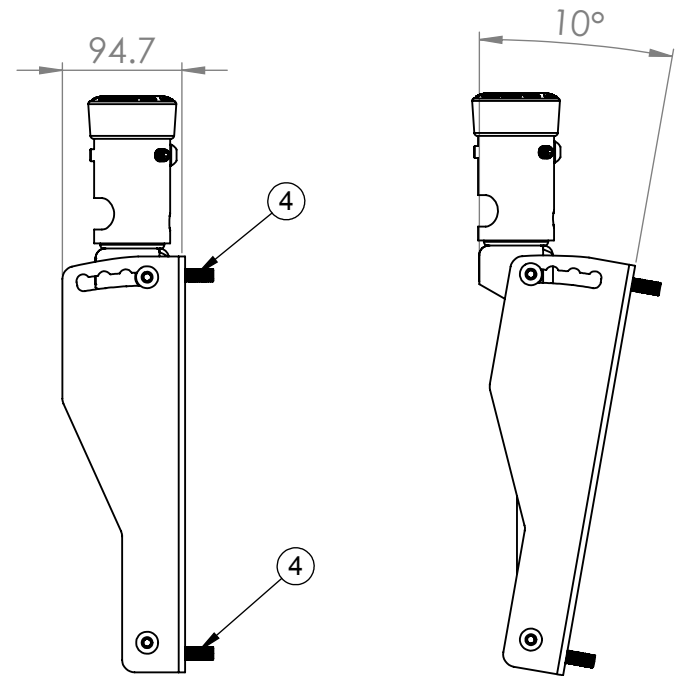
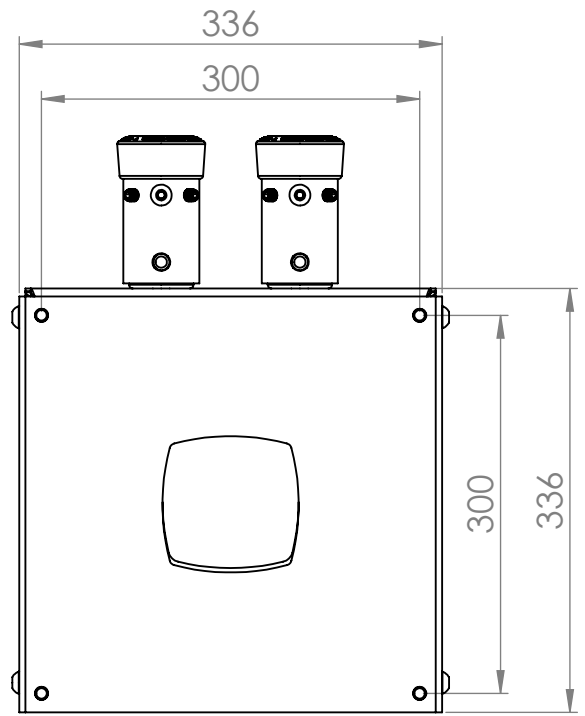
C

D

A

B

C



BOM Table			
NO	Part Number	Description	QTY.
1	PAR--20042753	PS9 Rear Support Plate	1
2	Ass--20000832	Ceiling suspension socket 16mm cap - 110mm long MSS1	2
3	PAR--20042754	PS9 Front Support Plate	1
4	BH-MET-10X25-HT-BO	Button Head Screw M10 X 25 ( High Tensile Black Oxide )	6
5	BH-MET-10X25-HT-CZN	Button Head Screw M10 X 25 ( High Tensile Bright Zinc Plated Clear Passivated )	2
6	FRI-MET-10-PS-CZN	Flat Head Full Hex Body Rivnut M10	4

Description PS9 Twin Column 110mm Span Sockets - Tilting Ceiling Adaptor

UNLESS OTHERWISE SPECIFIED: DIMENSIONS ARE IN MILLIMETERS	Mod Date	06/09/2019	REVISION	See Below - Fixings Required
	Drawn Date:	16/12/2016		
SURFACE FINISH: Powder Coated	DRAWN Ricky Clark		Material	DWG NO.
	Unicol Engineering Green Road Oxford OX3 8EU			

A4

1 2 3 4 5 6 WEIGHT: 8.82 Kg SCALE:1:6 DO NOT SCALE DRAWING SHEET 1 OF 1