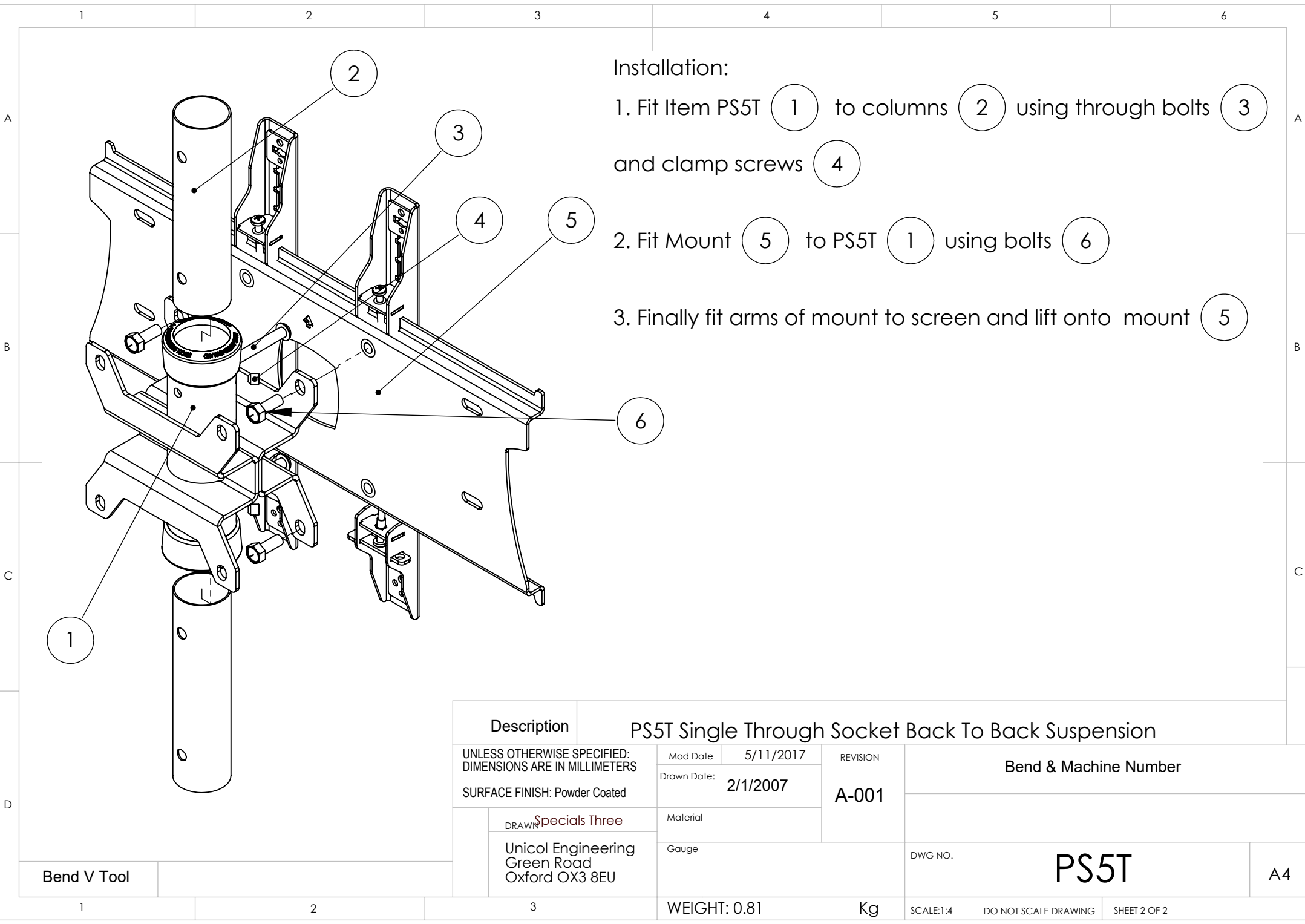


Description		PS5T Single Through Socket Back To Back Suspension			
UNLESS OTHERWISE SPECIFIED: DIMENSIONS ARE IN MILLIMETERS	Mod Date	5/11/2017	REVISION	Bend & Machine Number	
	Drawn Date:	2/1/2007			
SURFACE FINISH: Powder Coated		Material		DWG NO.	
DRAWN Specials Three		Gauge			
Unicol Engineering Green Road Oxford OX3 8EU				PS5T	A4
WEIGHT: 0.81		Kg		SCALE:1:3	DO NOT SCALE DRAWING
SHEET 1 OF 2					

Bend Tool



Installation:

1. Fit Item PS5T (1) to columns (2) using through bolts (3) and clamp screws (4)
2. Fit Mount (5) to PS5T (1) using bolts (6)
3. Finally fit arms of mount to screen and lift onto mount (5)

Description		PS5T Single Through Socket Back To Back Suspension			
UNLESS OTHERWISE SPECIFIED: DIMENSIONS ARE IN MILLIMETERS	Mod Date	5/11/2017	REVISION	Bend & Machine Number	
	Drawn Date:	2/1/2007	A-001		
SURFACE FINISH: Powder Coated	DRAWN Specials Three		Material	DWG NO. PS5T	
Unicol Engineering Green Road Oxford OX3 8EU	Gauge				

Bend V Tool

A4