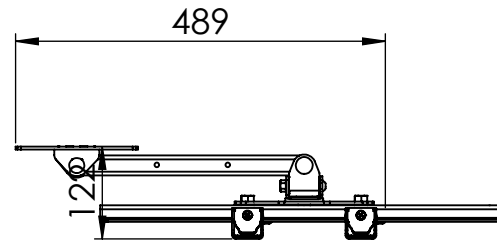
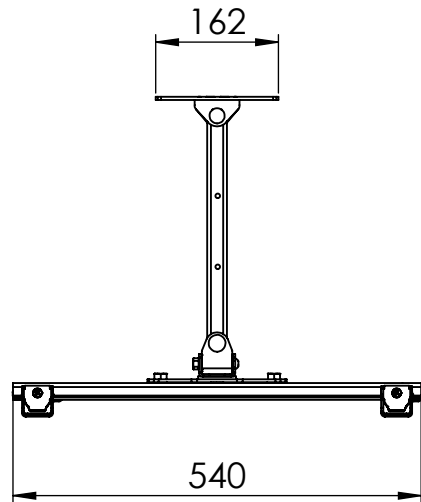
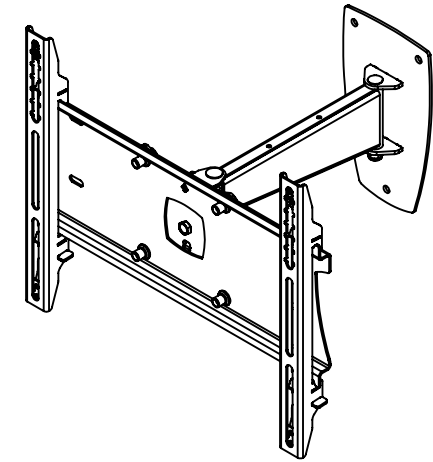
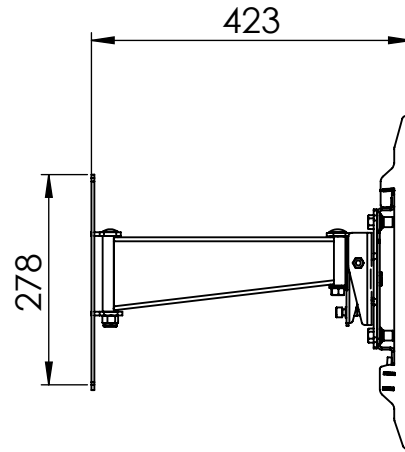
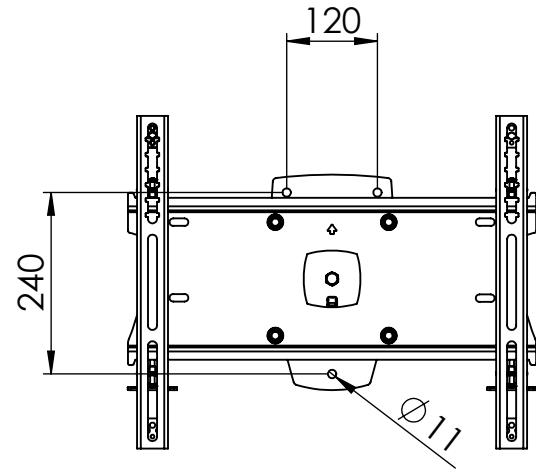


1 Fixing Kit

2 Universal Fixing Kit



Description PLS With Pzx3 Universal Mount

UNLESS OTHERWISE SPECIFIED:  
DIMENSIONS ARE IN MILLIMETERS

Mod Date 06/04/2016

REVISION

Bend & Machine Number

Drawn Date: 24/03/2011

A-006

SURFACE FINISH: Powder Coated

DRAWN Ricky Clark

Material

Unicol Engineering  
Green Road  
Oxford OX3 8EU

Gauge

DWG NO.

PLS1X3

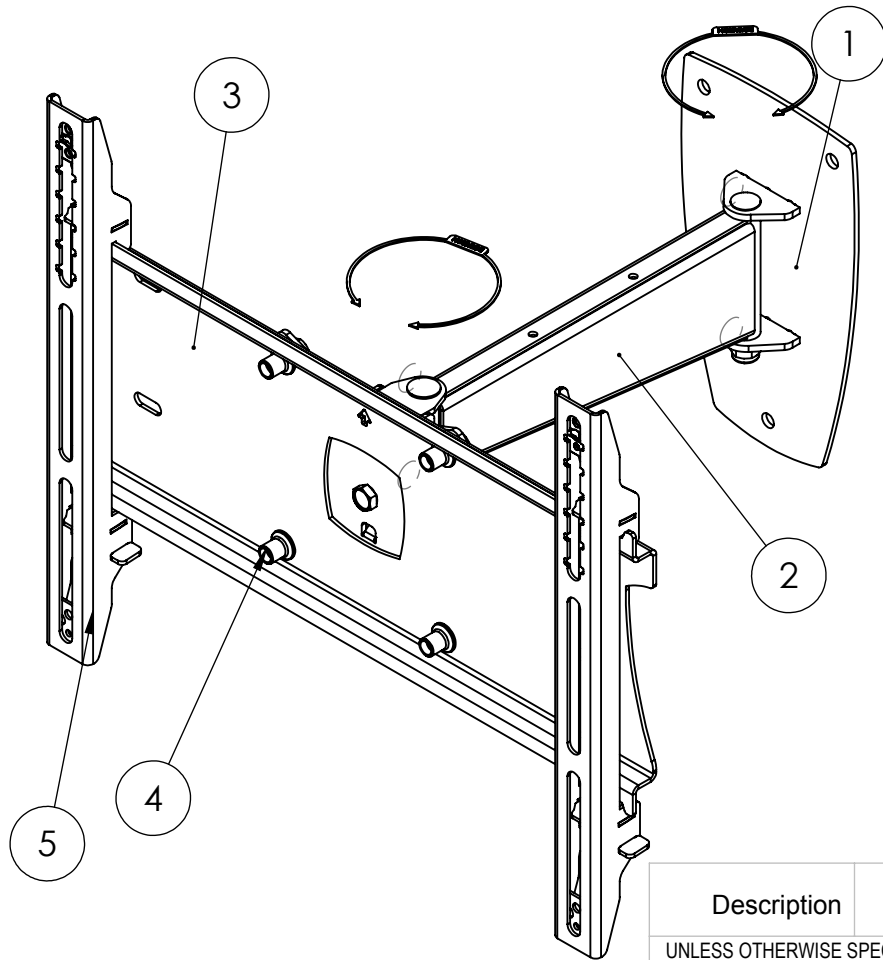
A4

Bend Tool

WEIGHT: Kg

SCALE:1:10 DO NOT SCALE DRAWING SHEET 1 OF 3

All Fixings must be approved  
by a builder or architect  
and these are only shown for illustrational purposes



Installation

1. Ensure that the wall structure can support five times the load - ( including screen and all bracketry, peripherals)
2. Fix wall plate ① of arm to supporting wall  
Consult your builder or architect if in doubt,(fixings not provided)
3. Route cables along the ② making certain these will not be trapped when moving the screen in and out.
4. Fit backplane of PLX- PLW ③ to the front plate using the 4 off M10 bolts ④
5. Fit the mounting arms ⑤ to the screen and lift the screen and arms onto the back plate fitting the side supporting screws and tighten
6. Fit all cables to Screen and push back to the desired position taking care not to trap any cables, fingers etc.

Description PIs With Pzx3 Universal Mount

UNLESS OTHERWISE SPECIFIED:  
DIMENSIONS ARE IN MILLIMETERS  
SURFACE FINISH: Powder Coated

Mod Date 06/04/2016

REVISION

Bend & Machine Number

Drawn Date: 24/03/2011

A-006

DRAWN Ricky Clark

Material

Unicol Engineering  
Green Road  
Oxford OX3 8EU

Gauge

DWG NO.

PLS1X3

A4

Bend V Tool

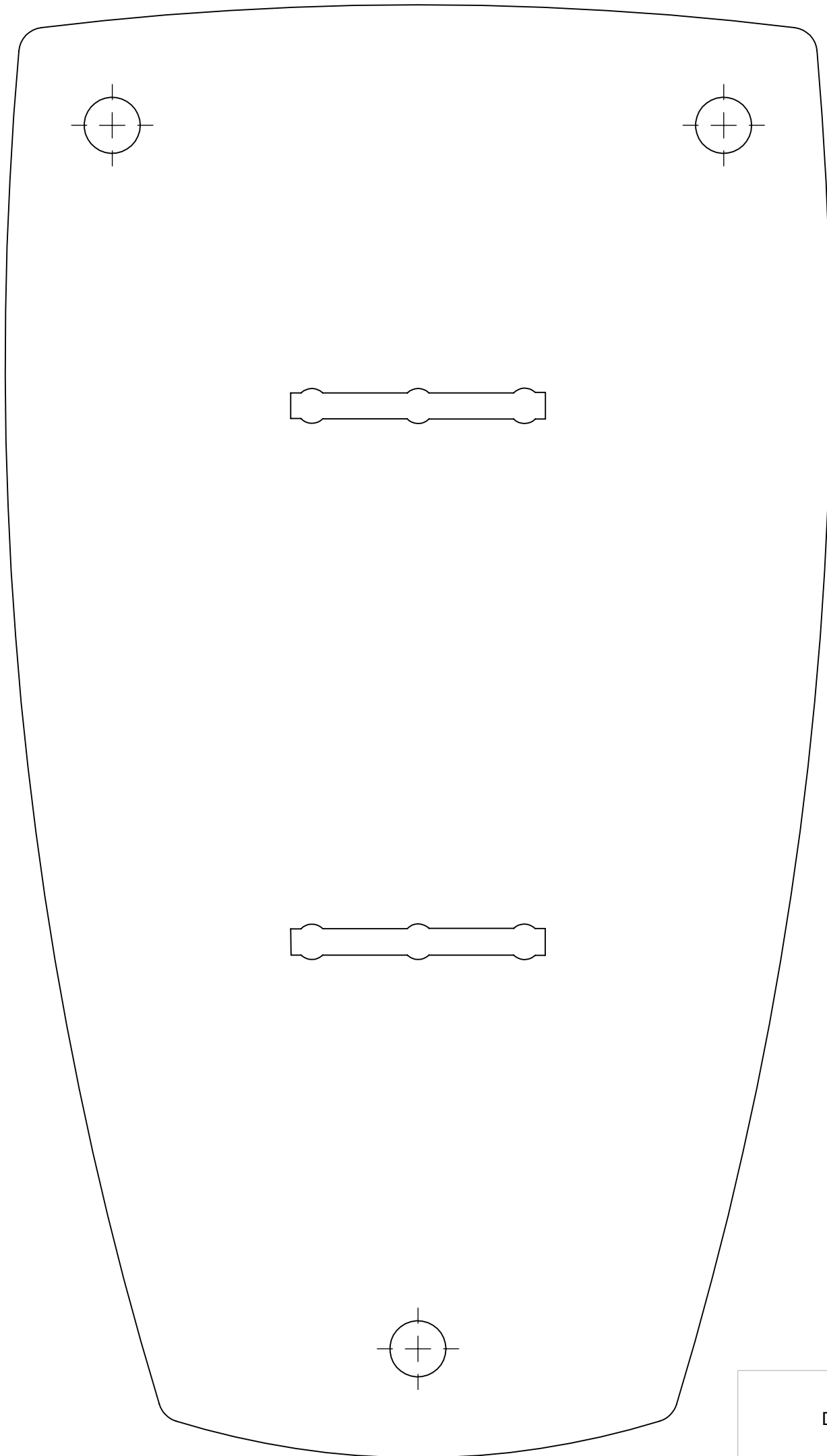
WEIGHT: 102.14

Kg

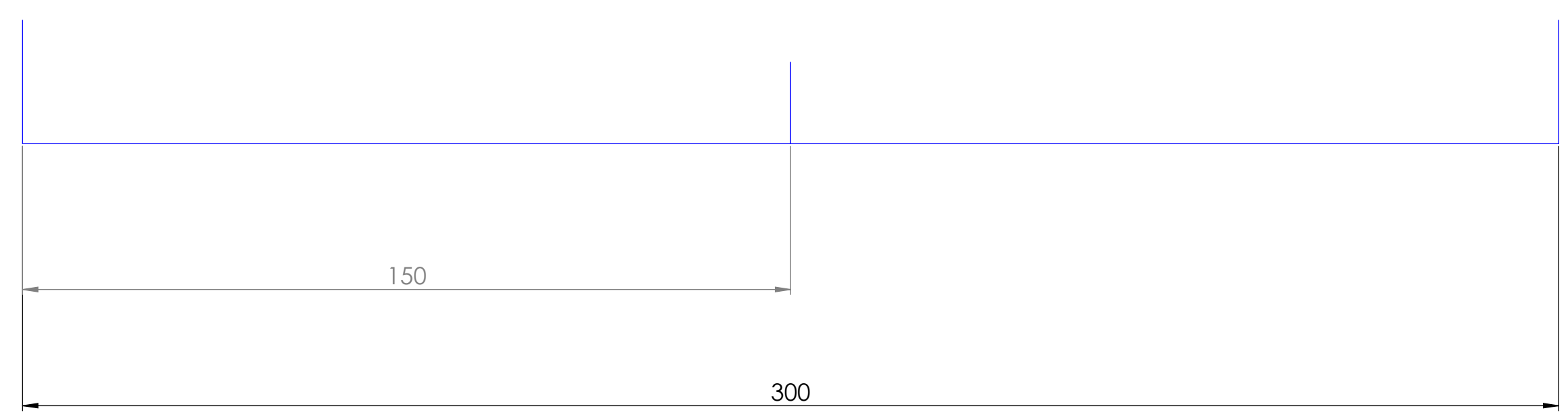
SCALE:1:5

DO NOT SCALE DRAWING

SHEET 2 OF 3



Print To Scale



Description		Pls Back Plate			
UNLESS OTHERWISE SPECIFIED: DIMENSIONS ARE IN MILLIMETERS SURFACE FINISH: Powder Coated		Mod Date	05/04/2016	REVISION	Bend & Machine Number
		Drawn Date:	14/06/2007		
DRAWN	Ricky Clark	Material	MILD STEEL	A-006	
	Unicol Engineering Green Road Oxford OX3 8EU		Gauge		
Bend V Tool	None	DWG NO.		PLS1X3	
		WEIGHT: 102.14	Kg	SCALE:1:1	DO NOT SCALE DRAWING
					SHEET 3 OF 3

Bend V Tool

None

DWG NO. PLS1X3

A4