

1 2 3 4 5 6

A

A

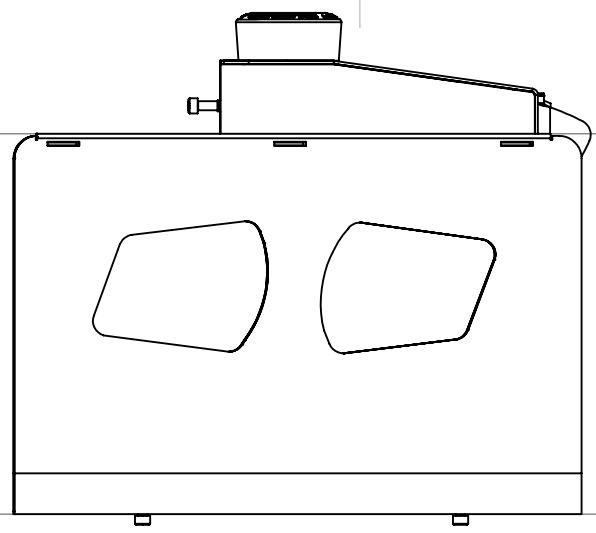
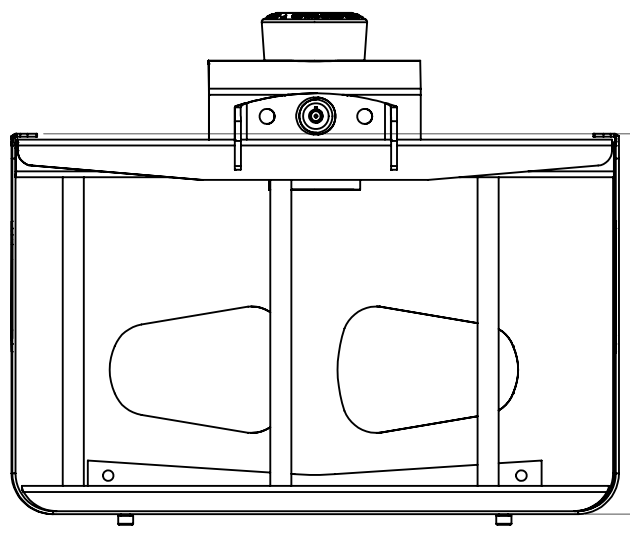
B

B

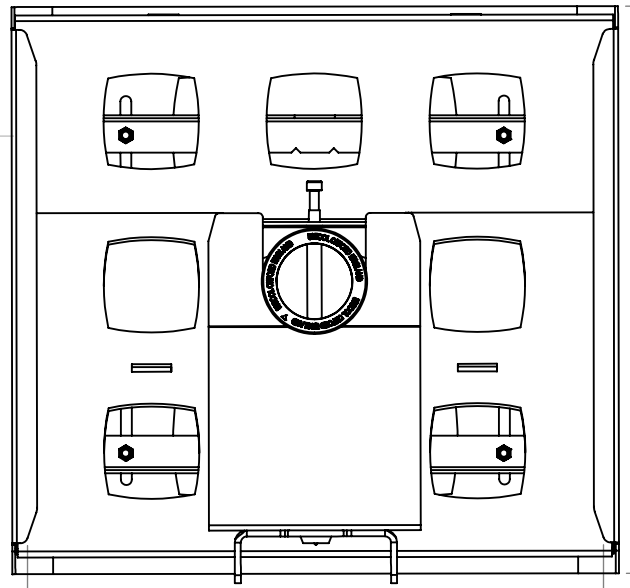
C

C

D

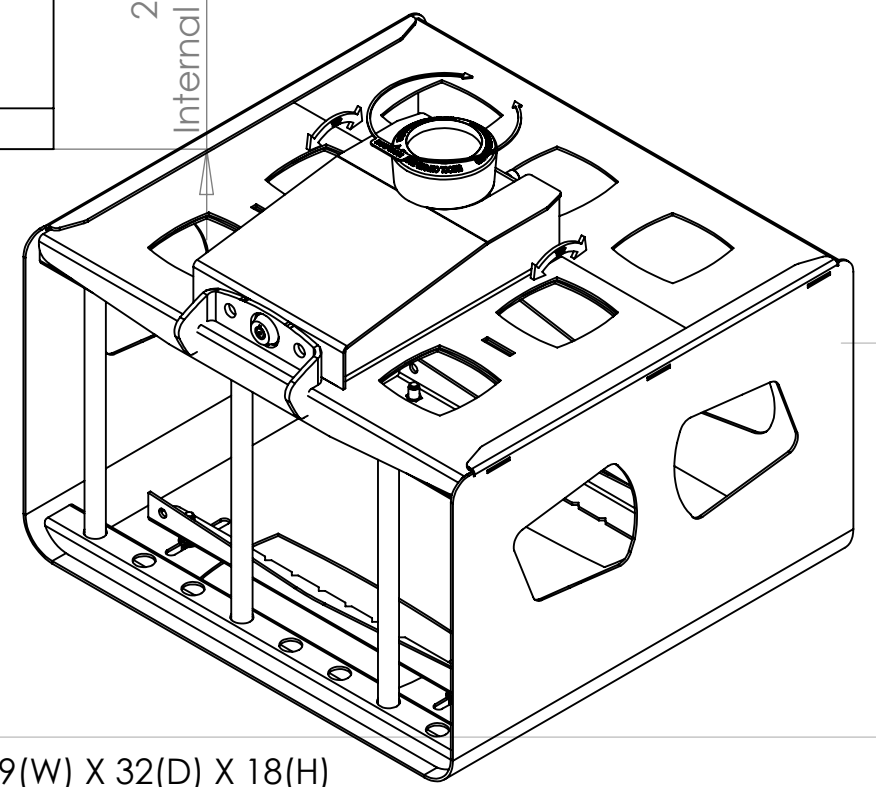


252mm
Internal Dims 180mm



375mm
Internal Dims 320mm

390 mm Internalmm
Internal Dims 390mm

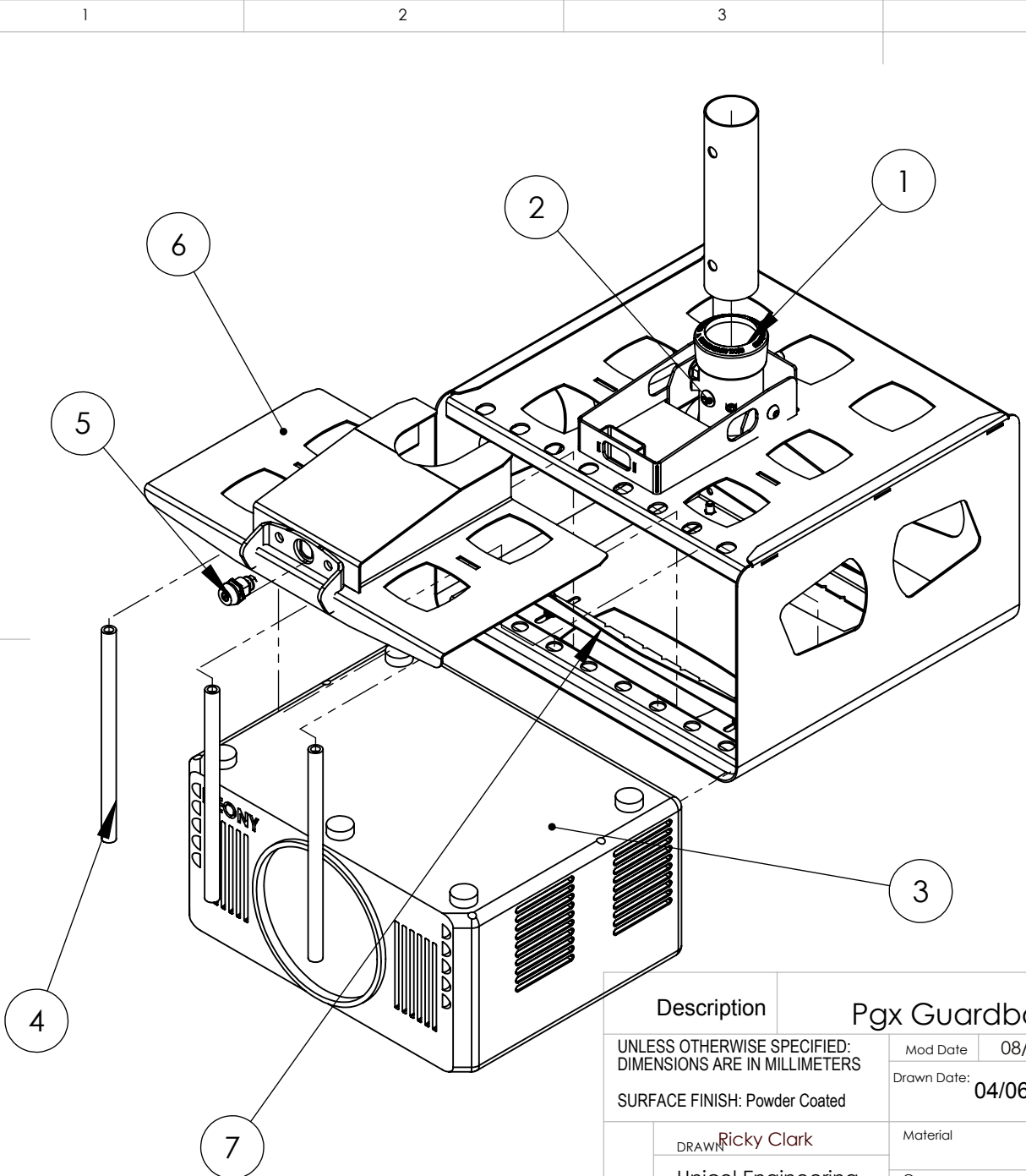


Bend Tool

Description		PgX Guardbox 39(W) X 32(D) X 18(H)			
UNLESS OTHERWISE SPECIFIED: DIMENSIONS ARE IN MILLIMETERS		Mod Date	08/03/2016	REVISION	Bend & Machine Number
SURFACE FINISH: Powder Coated		Drawn Date:	04/06/2007	A-007	
DRAWN	Ricky Clark	Material			
Unicol Engineering Green Road Oxford OX3 8EU		Gauge		DWG NO.	PGX
WEIGHT:		Kg		SCALE:1:5	DO NOT SCALE DRAWING
				SHEET 1 OF 2	

A4

1 2 3 4 5 6



Installation

1. Remove (6) , (5) , (4) to allow installation
2. Lift unit into place fitting the socket assembly (1) to the suspended column
3. Fit through bolt (2) and pinch column using the socket set screws
4. Install the projector keeping it far enough back to clear the security rods (4)
5. Fit security rods (4) which drop into place from above, use spacing that won't interfere with the lens on the projector
6. Slide cover plate (6) into place with the lock (5) removed
7. Refit the lock (5)
8. Adjust height and level using screws on base (7)

Bend V Tool

Description		Pgx Guardbox 39(W) X 32(D) X 18(H)		
UNLESS OTHERWISE SPECIFIED: DIMENSIONS ARE IN MILLIMETERS	Mod Date	08/03/2016	REVISION	Bend & Machine Number
	Drawn Date:	04/06/2007	A-007	
SURFACE FINISH: Powder Coated		Material		
DRAWN Ricky Clark		Gauge		
Unicol Engineering Green Road Oxford OX3 8EU		DWG NO.	PGX	
WEIGHT:		Kg	SCALE:1:6	DO NOT SCALE DRAWING
			SHEET 2 OF 2	

A4