

1 2 3 4 5 6

A

B

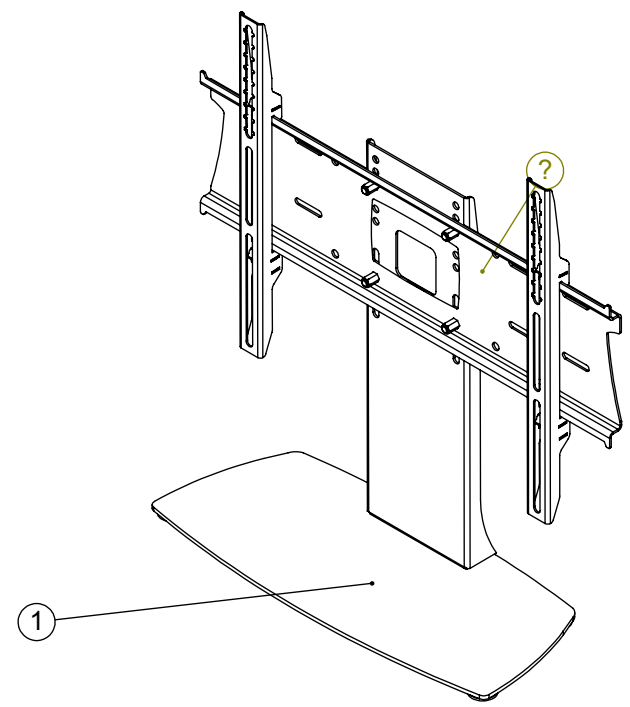
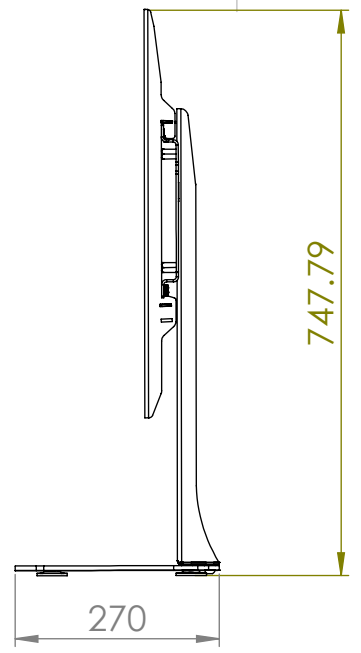
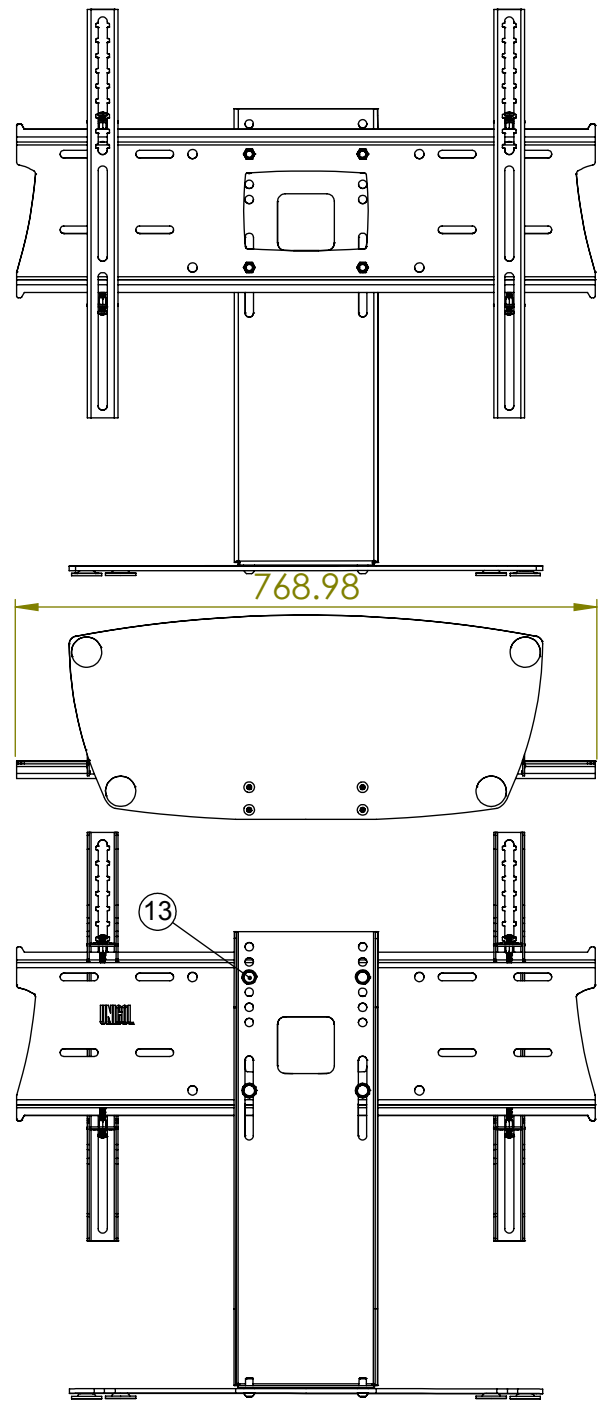
C

D

A

B

C



Description		PFT 70 & PZX1		See Below - Special Notes	
UNLESS OTHERWISE SPECIFIED: DIMENSIONS ARE IN MILLIMETERS		Saved Date: 17 April 2019 Created Date: 04 February 2014 Bend Tool:		DRW - REV REV - A-002	
SURFACE FINISH: Powder Coated		Material:			
Created By Jim Morley		Gauge:		Part Number & Part Revision	
Unicol Engineering Green Road Oxford OX3 8EU				ASS--20052797 REV - A-002	
		WEIGHT: 16.58		Kg	

1 2 3 4 5 6

SCALE:1:10 DO NOT SCALE DRAWING SHEET 1 OF 1