

1 2 3 4 5 6

A

A

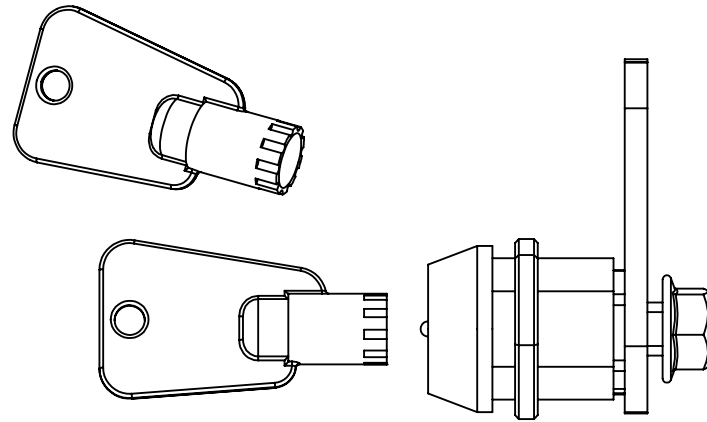
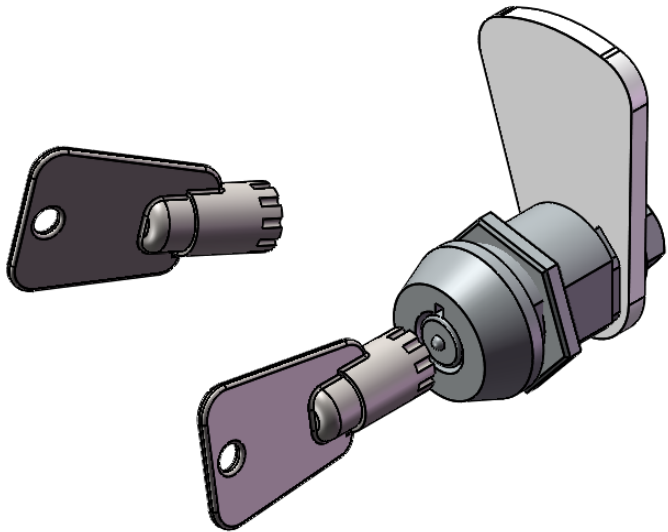
B

B

C

C

D



| | | | | | |
|--|--|------------------------|----------|-----------------------|----|
| Description | | Unicol Barrel And Lock | | | |
| UNLESS OTHERWISE SPECIFIED: DIMENSIONS ARE IN MILLIMETERS | Mod Date | 13/07/2015 | REVISION | Bend & Machine Number | |
| | Drawn Date: | 16/05/2013 | A-069 | | |
| SURFACE FINISH: Powder Coated | | Material | | | |
| DRAWN | Dennis Neale | | Gauge | | |
| | Unicol Engineering Green Road Oxford OX3 8EU | | | | |
| | | | DWG NO. | LK | A4 |

Bend V Tool

1 2 3 WEIGHT: 88.08 Kg SCALE:1:1 DO NOT SCALE DRAWING SHEET 1 OF 1