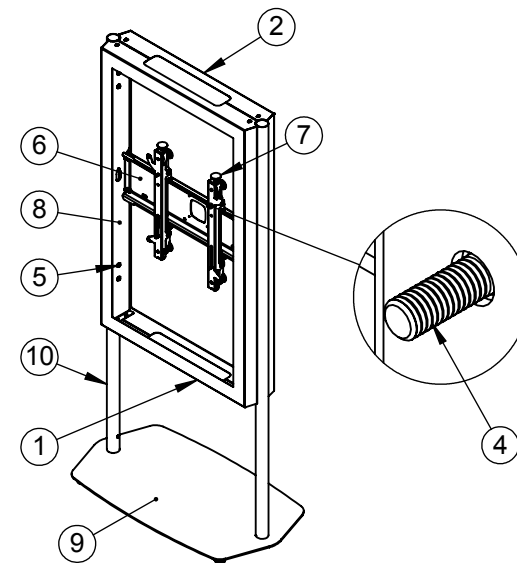
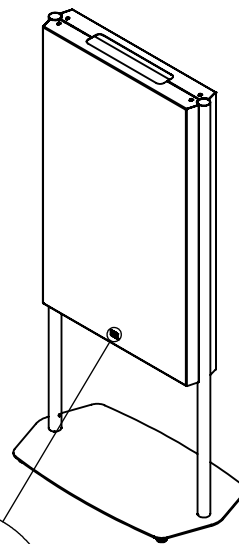


UNICOL logo stamp



BOM Table			
NO	Part Number	Description	QTY.
1	PAR--2054062	KTC5 NEC V554 front cover	1
2	PAR--2053265	KTC5 Samsung OM 55 DW rear cover	1
3	BH-MET-6X16-HT-CZN	Button Head Screw M6 X 16 (High Tensile Bright Zinc Plated Clear Passivated)	11
4	BH-MET-6X16-HT-BO	Button Head Screw M6 X 16 (High Tensile Black Oxide)	4
5	BH-MET-10X20-HT-BO	Button Head Screw M10 X 20 (High Tensile Black Oxide)	12
6	Ass--20031514	Column Totem Kiosk Screen Rail For 50 Inch Allsee	1
7	Ass--20018757	Vwa3 - Vwa1 - Left And Right Arms Landscape	1
8	ASS--20052164	KTC5 Kiosk side mount plate 55 inch	2
9	ASS--20051587	KTC5FS 55 inch frestanding base	1
10	ASS--20050393	x2 Kiosk Totem Columns	1

Description		KTC5FS Freestanding Kiosk Example	
UNLESS OTHERWISE SPECIFIED: DIMENSIONS ARE IN MILLIMETERS	Saved Date: 19 March 2019	DRW - REV	See Below - Special Notes
	Created Date: 07 March 2019		
SURFACE FINISH: Powder Coated	Bend Tool:		
Created By Andrew Griffiths	Material:		
	Unicol Engineering Green Road Oxford OX3 8EU	Gauge:	Part Number & Part Revision SAMPLE