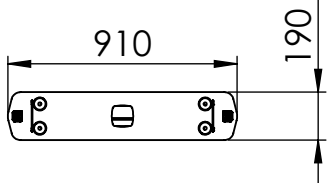
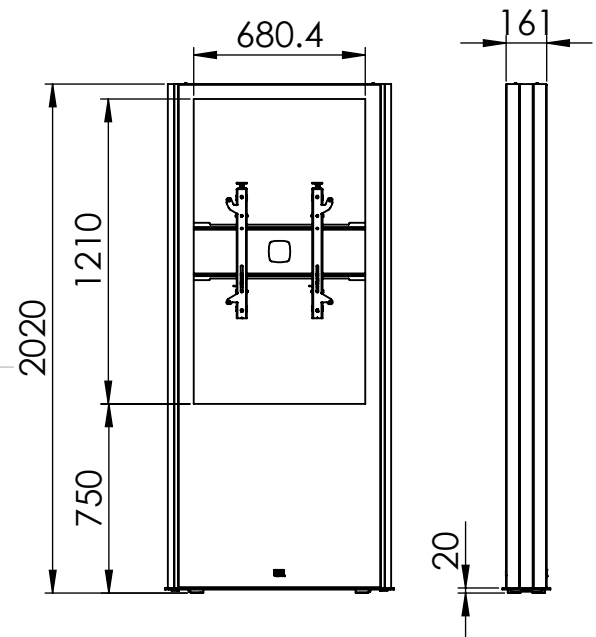


UNICOL logo stamp



BOM Table			
NO	Part Number	Description	QTY.
1	PN-MET-6X12-HT-BO	Pozi Pan Head M6 X 12 (High Tensile Black Oxide)	4
2	PAR--2052031	55 Inch Totem Rear Cover	1
3	PAR--2051038	55 Inch Totem Front Cover	1
4	BH-MET-8X20-HT-CZN	Button Head Screw M8 X 20 (High Tensile Bright Zinc Plated Clear Passivated)	4
5	BH-MET-6X16-HT-BO	Button Head Screw M6 X 16 (High Tensile Black Oxide)	4
6	BH-MET-10X25-HT-CZN	Button Head Screw M10 X 25 (High Tensile Bright Zinc Plated Clear Passivated)	8
7	Ass--20018757	Vwa3 - Vwa1 - Left And Right Arms Landscape	1
8	ASS--20051234	Digital Signage Screen Rail For NEC C551	1
9	ASS--20050901	Digital Signage Side Mount Plate 55 Inch	2
10	ASS--20050393	x2 Kiosk Totem Columns	1
11	ASS--20029077	Dual Column Kiosk Full Cover Discrete Bolt 55 Inch Down Base	1

Description		KTC5BDT Bolt Down Totem Example	
UNLESS OTHERWISE SPECIFIED: DIMENSIONS ARE IN MILLIMETERS	Saved Date: 19/03/2019 Created Date: 19/03/2019 Bend Tool:	REVISION	See Below - Special Notes
	SURFACE FINISH: Powder Coated	A-002	
Created By Andrew Griffiths	Material:	DWG NO.	SAMPLE
Unicol Engineering Green Road Oxford OX3 8EU	Gauge:	A4	