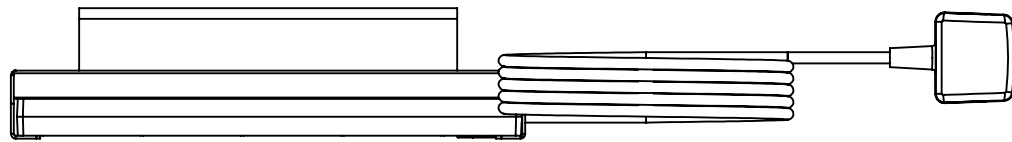
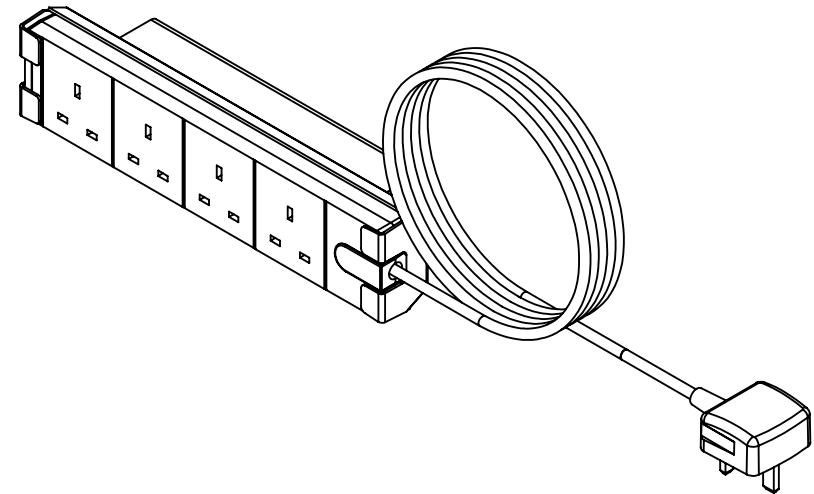


Comes complete with 4 meter lead and plug



Bend Tool

Description Electrical Socket 4 Way Uk

UNLESS OTHERWISE SPECIFIED:  
DIMENSIONS ARE IN MILLIMETERS

Mod Date 26/04/2016

REVISION

Bend & Machine Number

SURFACE FINISH: Powder Coated

Drawn Date: 03/11/2006

A-002

DRAWN Specials Three

Material

Unicol Engineering  
Green Road  
Oxford OX3 8EU

Gauge

DWG NO.

ESU

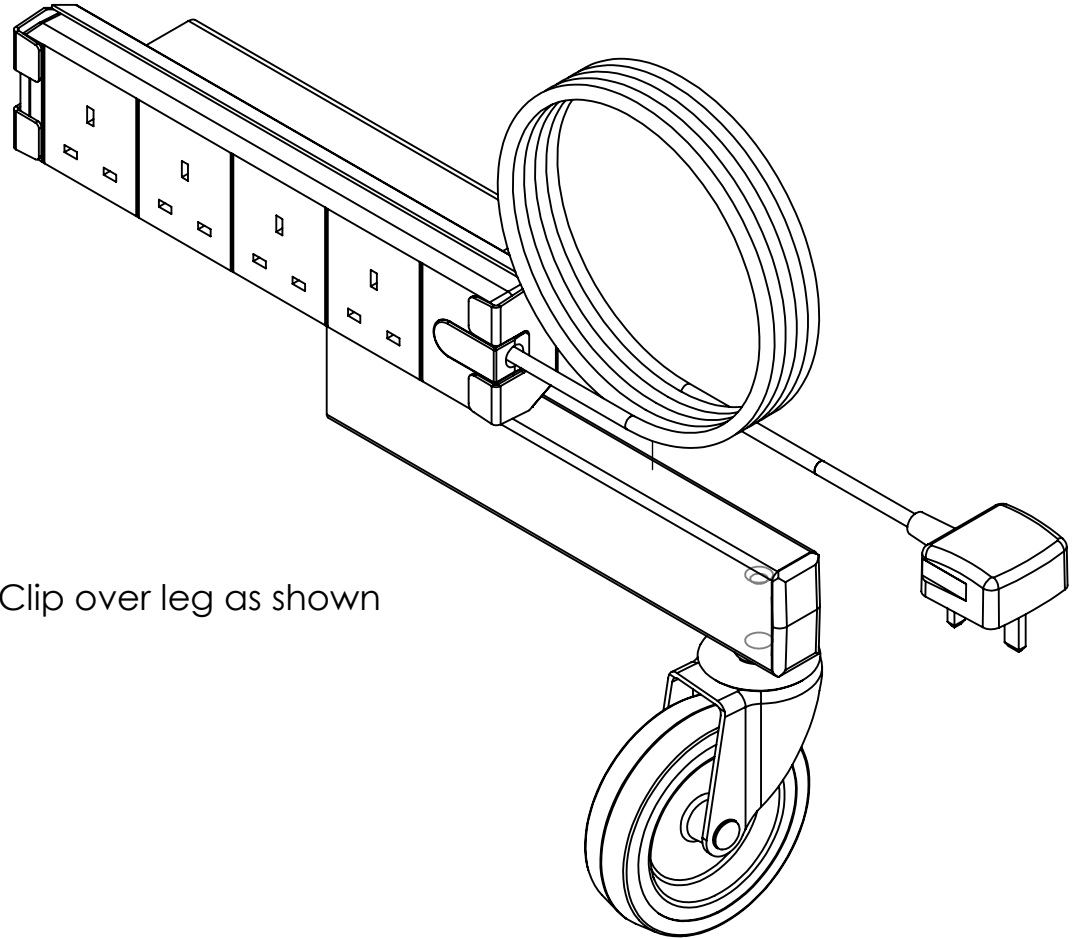
A4

WEIGHT: Kg

SCALE:1:4

DO NOT SCALE DRAWING

SHEET 1 OF 2



Clip over leg as shown

Inner pressed out tang grips to leg face

|  |  |                            |            |          |                       |
|--|--|----------------------------|------------|----------|-----------------------|
| Description  |  | Electrical Socket 4 Way Uk |            |          |                       |
| UNLESS OTHERWISE SPECIFIED:<br>DIMENSIONS ARE IN MILLIMETERS |  | Mod Date                   | 26/04/2016 | REVISION | Bend & Machine Number |
| SURFACE FINISH: Powder Coated                                |  | Drawn Date:                | 03/11/2006 | A-002    |                       |
| DRAWN  | Specials Three                                     | Material                   |            | DWG NO.  | ESU                   |
|  | Unicol Engineering<br>Green Road<br>Oxford OX3 8EU | Gauge                      |            |          |                       |

Bend V Tool

A4