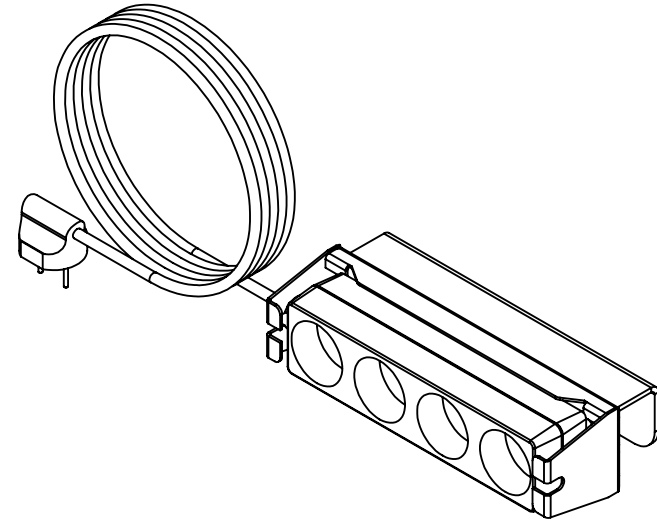
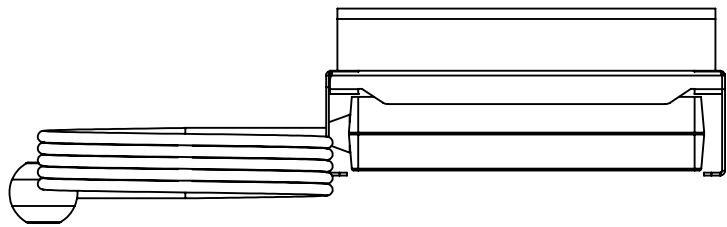
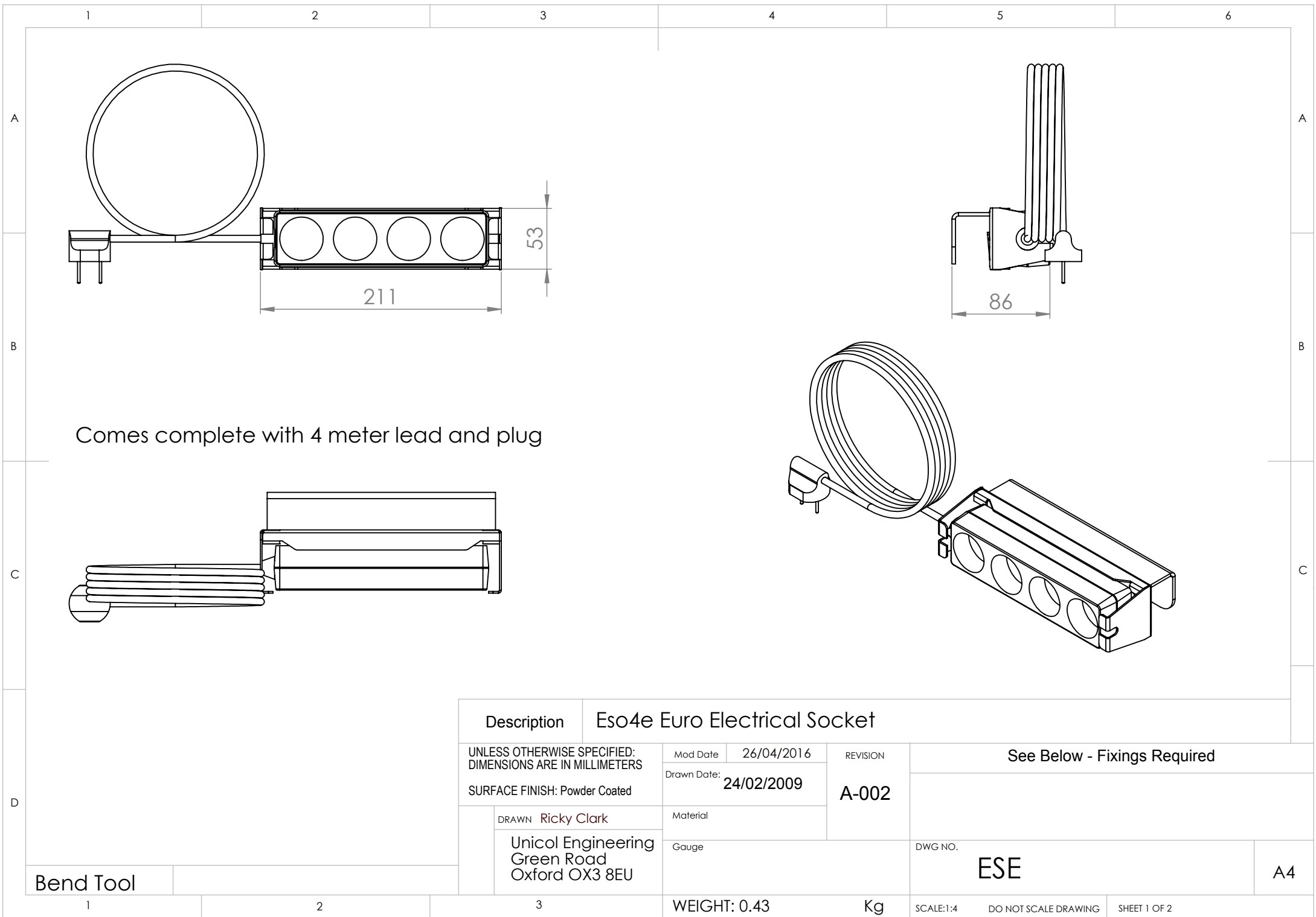


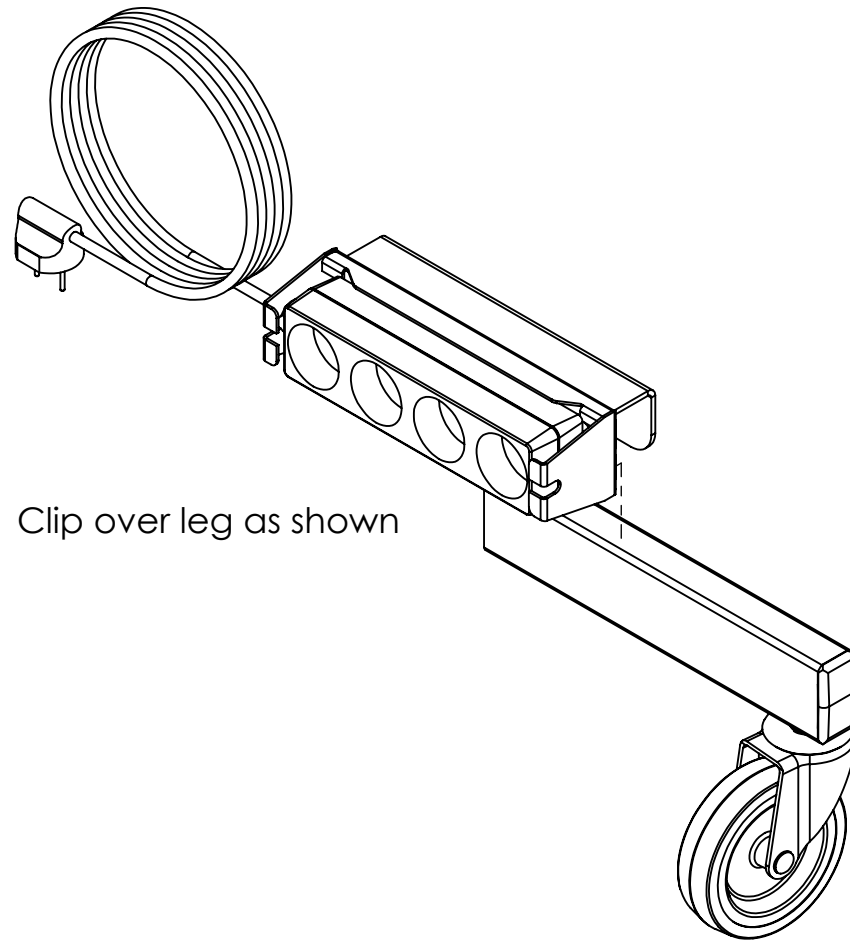
Comes complete with 4 meter lead and plug



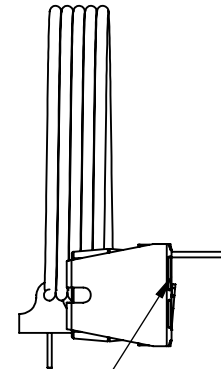
Description		Eso4e Euro Electrical Socket		
UNLESS OTHERWISE SPECIFIED: DIMENSIONS ARE IN MILLIMETERS	Mod Date	26/04/2016	REVISION	See Below - Fixings Required
	Drawn Date:	24/02/2009	A-002	
SURFACE FINISH: Powder Coated	DRAWN	Ricky Clark	Material	
	Unicol Engineering Green Road Oxford OX3 8EU		Gauge	DWG NO. <b>ESE</b>
	WEIGHT: 0.43		Kg	A4
SCALE:1:4		DO NOT SCALE DRAWING		SHEET 1 OF 2

Bend Tool





Clip over leg as shown



Inner pressed out tang grips to leg face

Description		Eso4e Euro Electrical Socket			
UNLESS OTHERWISE SPECIFIED: DIMENSIONS ARE IN MILLIMETERS		Mod Date	26/04/2016	REVISION	Bend & Machine Number
SURFACE FINISH: Powder Coated		Drawn Date:	24/02/2009	A-002	
DRAWN	Ricky Clark	Material		DWG NO. <b>ESE</b>	
Unicol Engineering Green Road Oxford OX3 8EU		Gauge			

Bend V Tool

A4

WEIGHT: 0.43

Kg

SCALE:1:4

DO NOT SCALE DRAWING

SHEET 2 OF 2