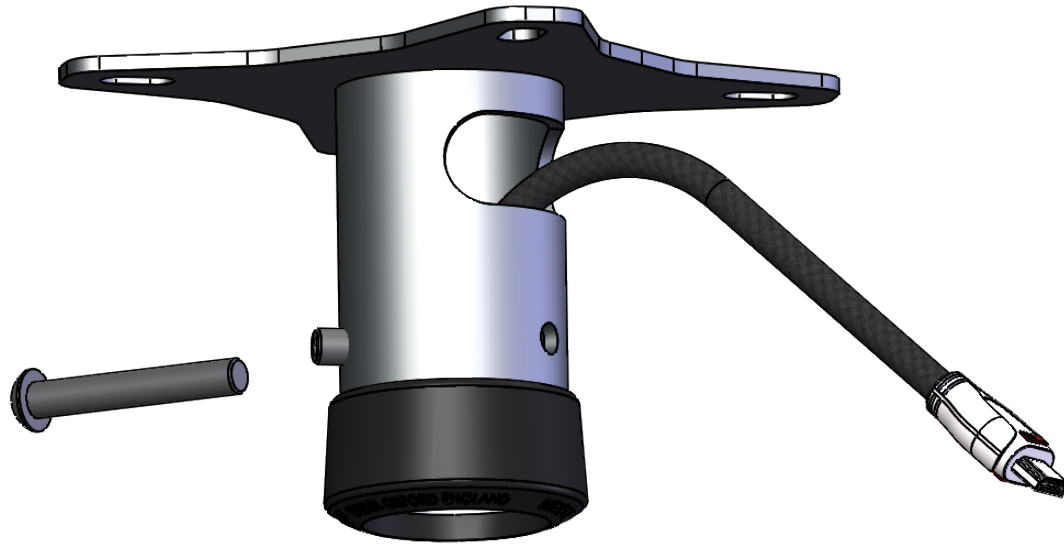


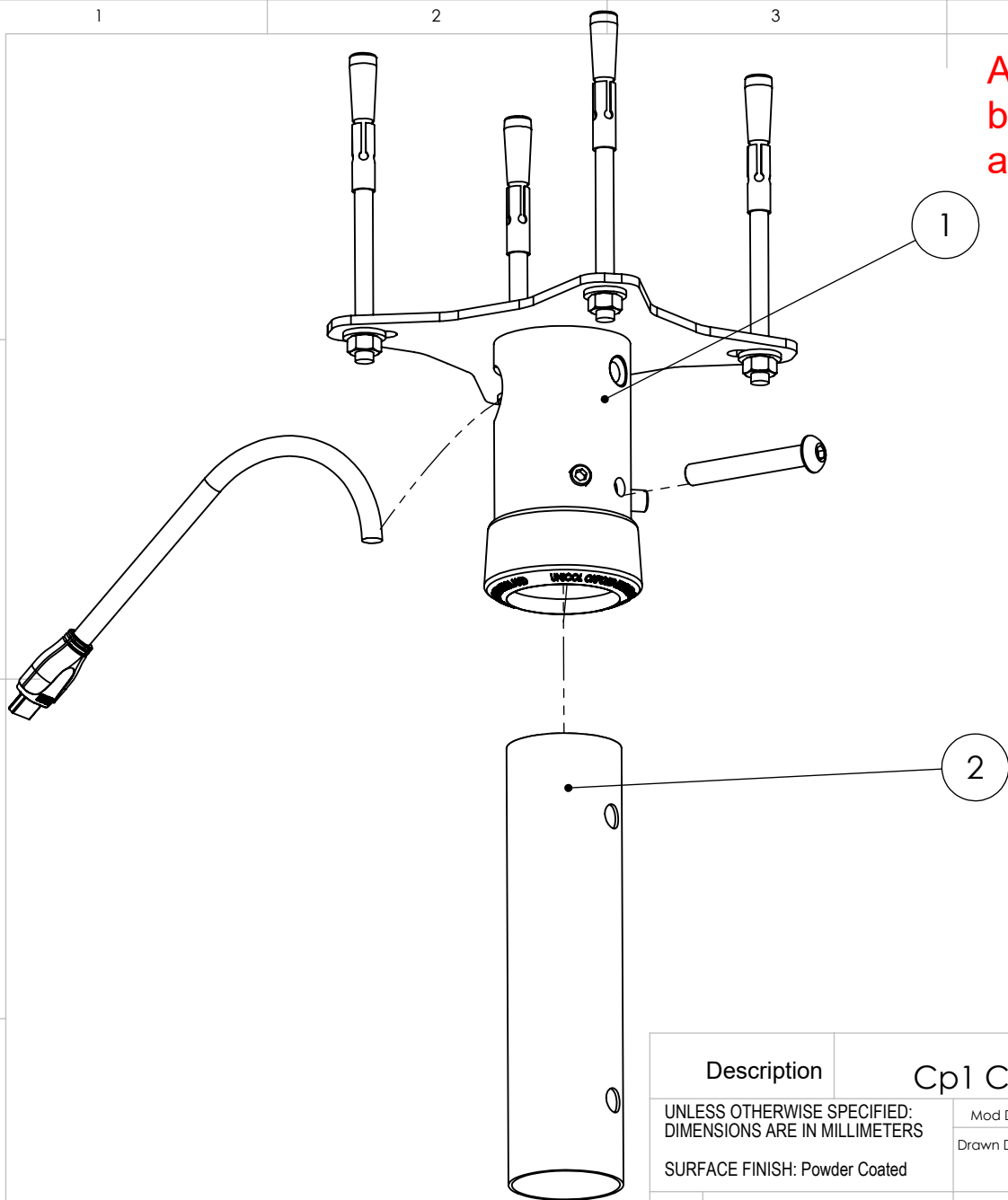
Bend Tool

Description		Cp1 Ceiling Plate 16Cm X 16Cm			
UNLESS OTHERWISE SPECIFIED: DIMENSIONS ARE IN MILLIMETERS		Mod Date	23/01/2017	REVISION	Bend & Machine Number
SURFACE FINISH: Powder Coated		Drawn Date:	01/02/2007	A-097	
DRAWN	Specials Three	Material			DWG NO.
Unicol Engineering Green Road Oxford OX3 8EU		Gauge			
		WEIGHT: 1093.80	Kg	SCALE:1:2	DO NOT SCALE DRAWING
				DWG NO.	CP1
					A4
				SHEET 1 OF 4	



Description		Cp1 Ceiling Plate 16Cm X 16Cm			
UNLESS OTHERWISE SPECIFIED: DIMENSIONS ARE IN MILLIMETERS		Mod Date	23/01/2017	REVISION	Bend & Machine Number
		Drawn Date:	01/02/2007	A-097	
SURFACE FINISH: Powder Coated		DRAWN Specials Three		Material	DWG NO.
Unicol Engineering Green Road Oxford OX3 8EU		Gauge			
Bend V Tool		WEIGHT: 1093.80		Kg	CP1
		SCALE:1:2		DO NOT SCALE DRAWING	SHEET 2 OF 4

A4



All Fixings must be approved by a builder or architect and these are only shown for illustrational purposes

Ensure that the ceiling structure can support five times the load - (screen including all bracketry and peripherals).

1. Fix ceiling plate (1) to ceiling using reliable fixings to ensure safe installation - Consult your builder or architect if in doubt, (fixings not provided).
2. Route cables through aperture in ceiling plate and through column before fixing column to ceiling plate. Insert column (2) into (1) using safety through bolt to fasten together - nip up grub screws.

**WARNING** - Safety Through Bolts must be used to connect columns to ceiling plates and mount adapters.

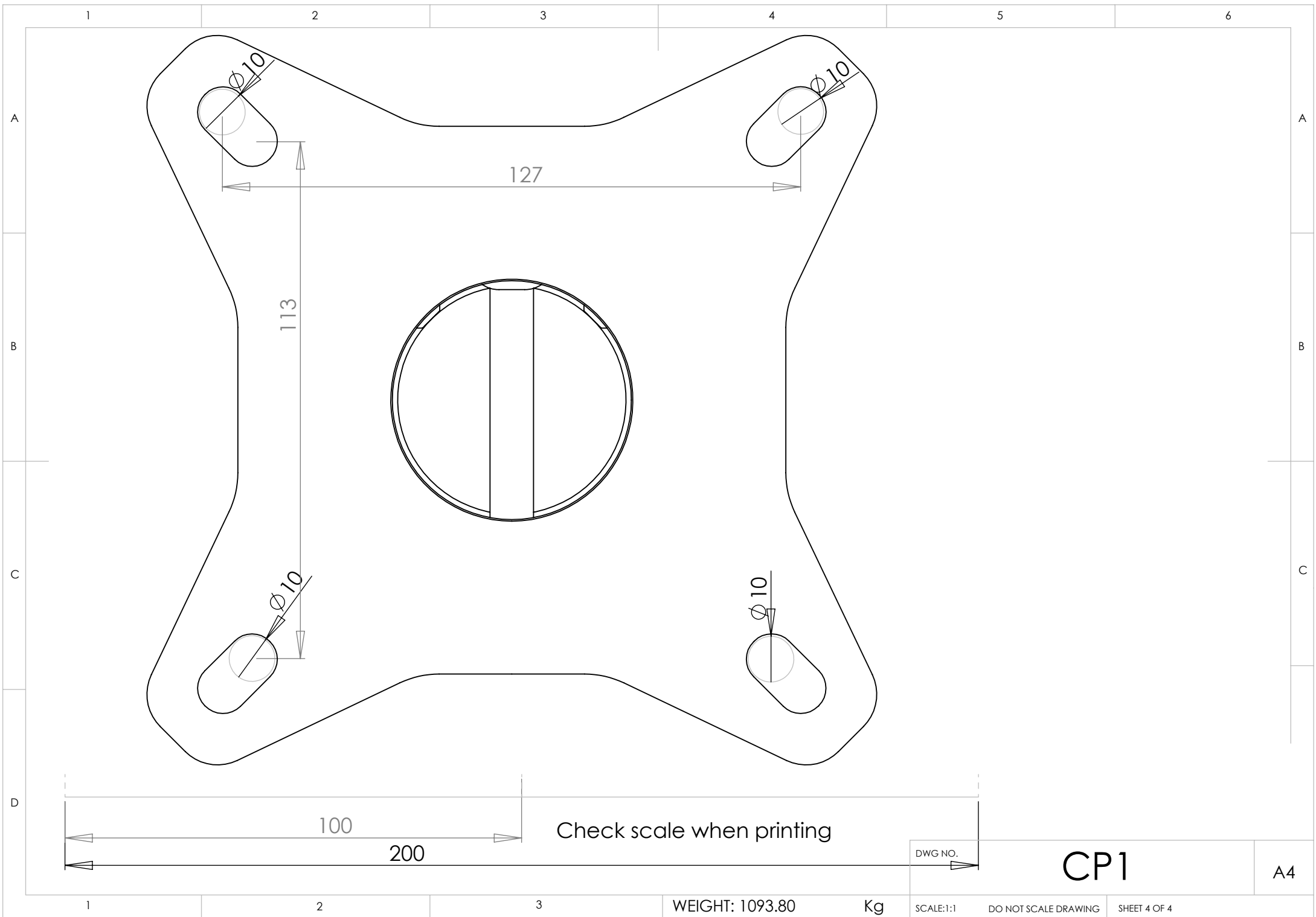
Description		Cp1 Ceiling Plate 16Cm X 16Cm			
UNLESS OTHERWISE SPECIFIED: DIMENSIONS ARE IN MILLIMETERS	Mod Date	23/01/2017	REVISION	Bend & Machine Number	
	Drawn Date:	01/02/2007	A-097		
SURFACE FINISH: Powder Coated		Material		DWG NO.	
DRAWN Specials Three		Gauge			
Unicol Engineering Green Road Oxford OX3 8EU				CP1	

Bend V Tool

A4

WEIGHT: 1093.80 Kg

SCALE:1:3 DO NOT SCALE DRAWING SHEET 3 OF 4



1 2 3 4 5 6

A

A

B

B

C

C

D

127

113

100

200

$\phi 10$

$\phi 10$

$\phi 10$

$\phi 10$

Check scale when printing

DWG NO.

CP1

A4

1 2 3 4 5 6

WEIGHT: 1093.80 Kg

SCALE:1:1 DO NOT SCALE DRAWING SHEET 4 OF 4