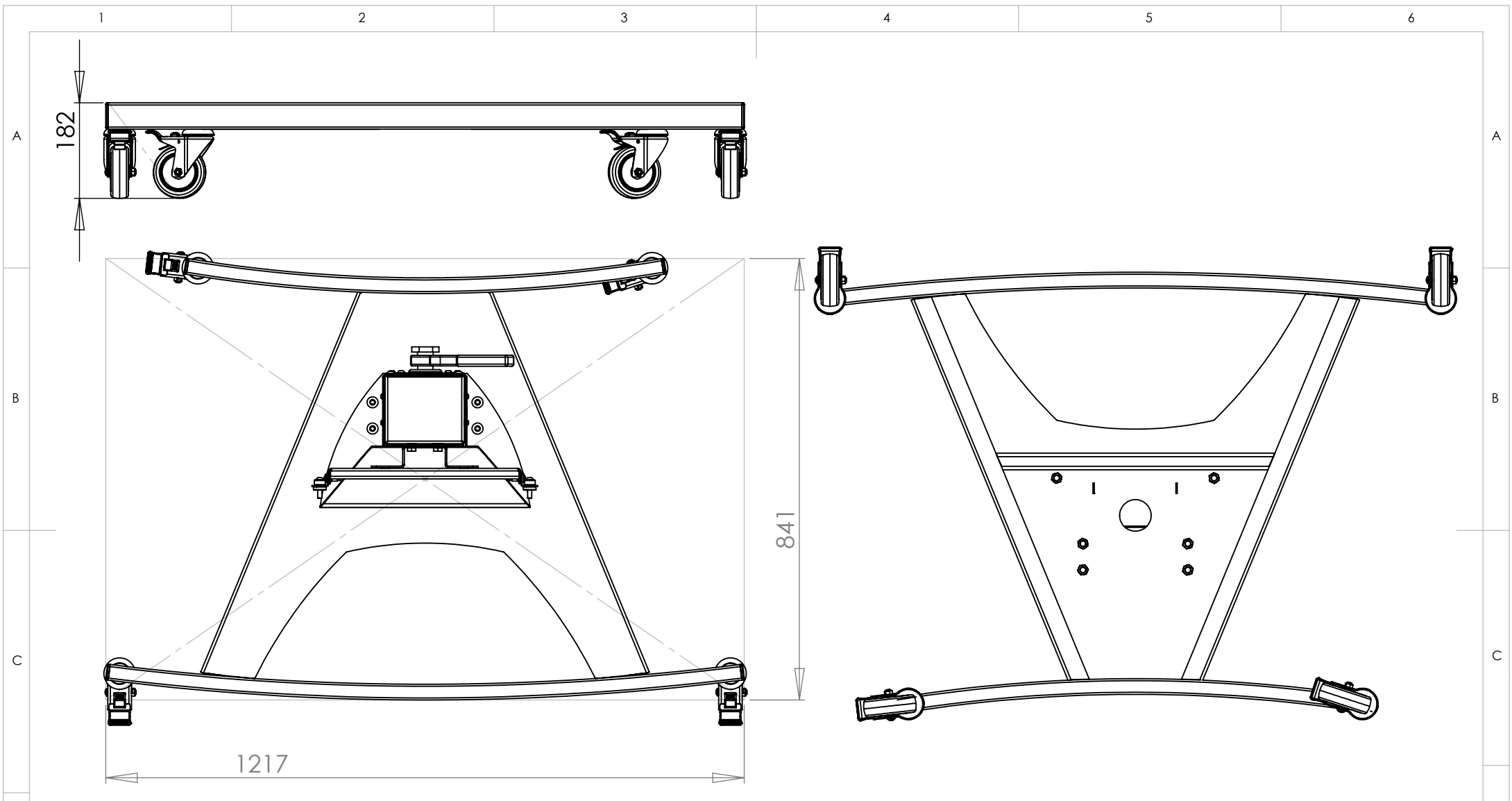


Description		Axia 2000 Easylift Trolley For Screens 57 - 70			
UNLESS OTHERWISE SPECIFIED: DIMENSIONS ARE IN MILLIMETERS		Mod Date	15/07/2016	REVISION	Bend & Machine Number
SURFACE FINISH: Powder Coated		Drawn Date:	03/07/2014	A-005	
DRAWN Ricky Clark		Material		DWG NO.	AXW202
Unicol Engineering Green Road Oxford OX3 8EU		Gauge			
WEIGHT: 480.59		Kg		SCALE:1:20	DO NOT SCALE DRAWING
				SHEET 1 OF 2	

Bend Tool

A4



Description		Axia 2000 Easylift Trolley For Screens 57 - 70			
UNLESS OTHERWISE SPECIFIED: DIMENSIONS ARE IN MILLIMETERS		Mod Date	15/07/2016	REVISION	Bend & Machine Number
SURFACE FINISH: Powder Coated		Drawn Date:	03/07/2014	A-005	
DRAWN	Ricky Clark	Material	DWG NO. <b>AXW202</b>		
	Unicol Engineering Green Road Oxford OX3 8EU	Gauge			
Bend V Tool		WEIGHT: 480.59	Kg	SCALE:1:10	DO NOT SCALE DRAWING

A4