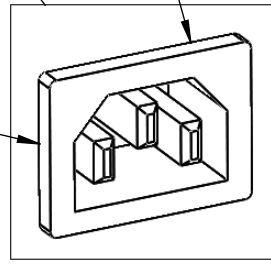
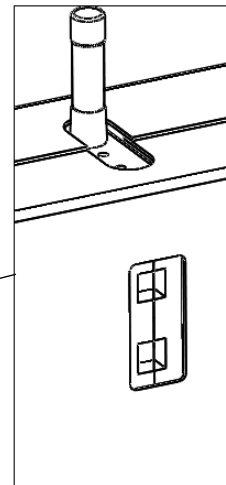
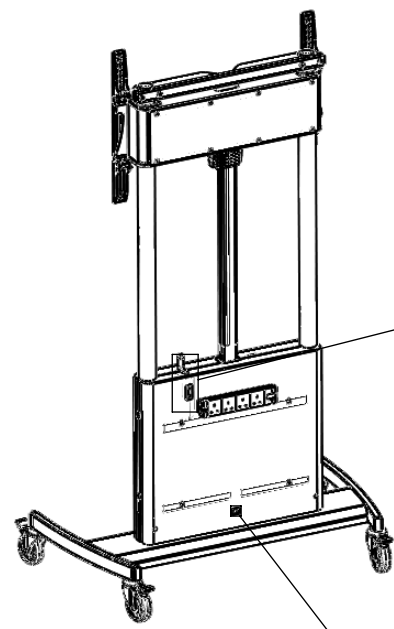
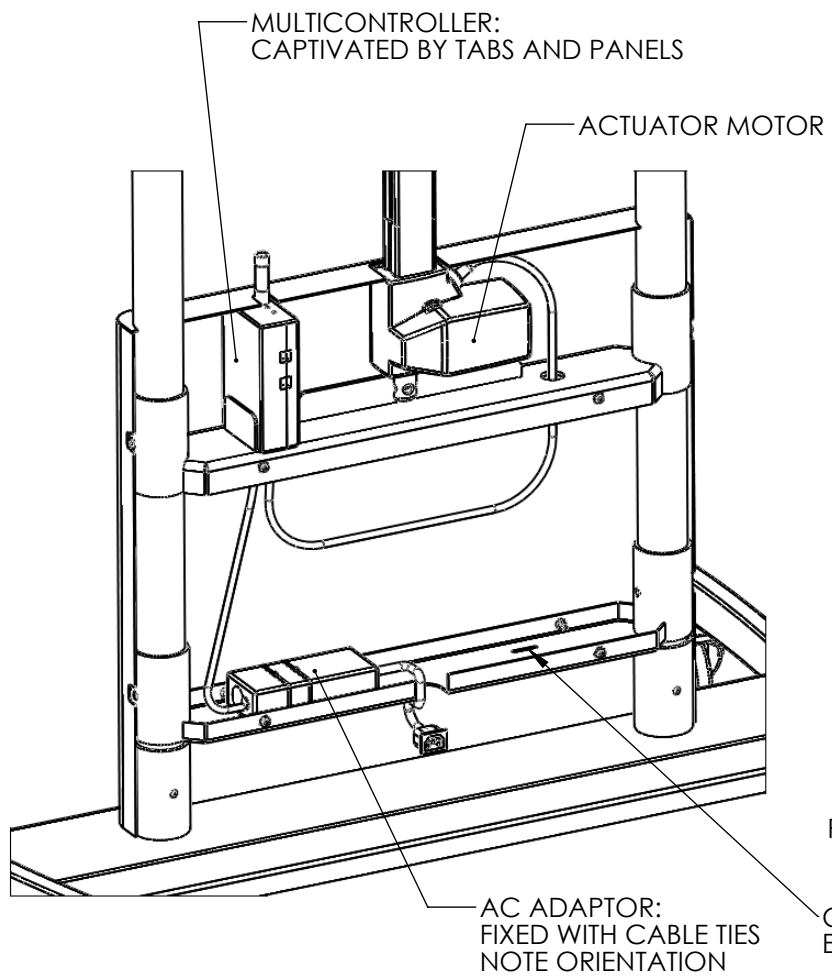


BOM Table			
ITEM NO.	PART NUMBER	DESCRIPTION	QTY.
1	Par--20012343	Power Pack	1
2	Par--20029352	Back Cover 700 Actuator Slim	1
3	Par--20029353	Front Powerlift 700 Travel Slim	1
4	Par--20029365	IEC Snap Fit	1
5	Par--20029981	Lq29 Actuator	1
6	Par--20030002	Powalift 700 Stroke Heavy Duty Column	2
7	Par--20030007	Cable Tie	2
8	Ass--20000809	ELECTRICAL SOCKET 4 WAY UK 150 fixings	1
9	Ass--20001677	PZX1 Pozimount type 1 Non-Tilting	1
10	Ass--20014170	Tran Box And Antenna	1
11	Ass--20014927	Powalift Top Plate 600 Centres	1
12	Ass--20018560	Socket Front Box Top 700 Stroke	1
13	Ass--20018563	Powerlift Ram Retainer 700 Stroke	1
14	Ass--20018568	Powerlift Top Strenghtener 700 Stroke	1
15	Ass--20018823	Heavy Duty Trolley Base 600	1
16	-	M10 x 25 Socket Button Head Cap Screw	4
17	-	M10 x 60 Socket Cup Screw	4
18	-	M5 Socket Button Head Cap Screw	8
19	-	M10 Socket Button Head Cap Screw	2

Description		Avmt7 - Powalift 700 Pzx1	
UNLESS OTHERWISE SPECIFIED: DIMENSIONS ARE IN MILLIMETERS	Mod Date	28/07/2014	REVISION
	Drawn Date:	09/01/2014	A-005
SURFACE FINISH: Powder Coated		Material	Bend & Machine Number
DRAWN Andrew Griffiths		Gauge	
Unicol Engineering Green Road Oxford OX3 8EU		DWG NO.	Ass--20019056
WEIGHT:		Kg	A4
SCALE:1:30		DO NOT SCALE DRAWING	SHEET 1 OF 3

Bend V Tool



NOTE:
ORIENTATION MUST MATCH AS SHOWN
MIDDLE PIN AT TOP

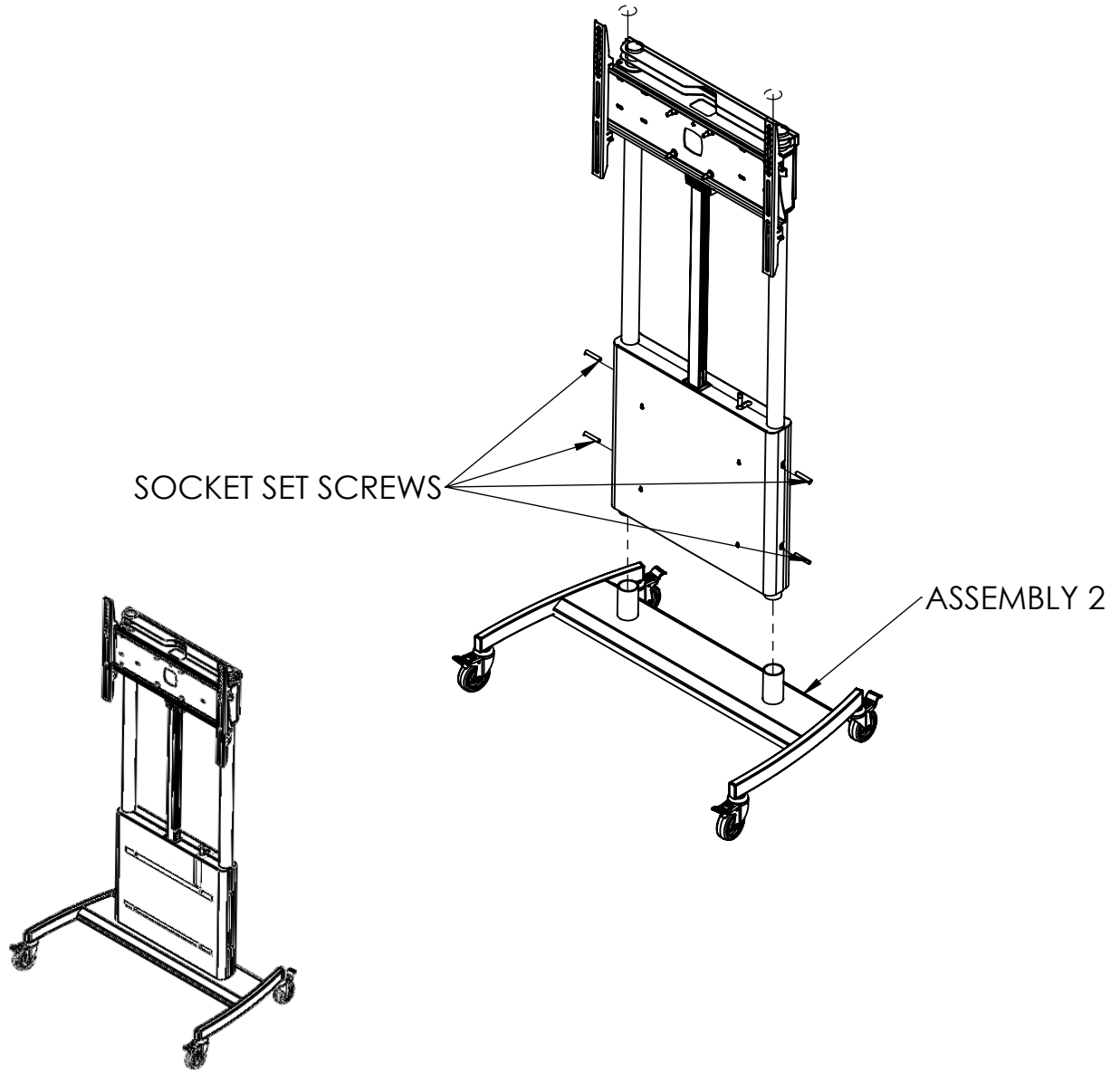
PUSH FIT IEC CONNECTOR

Description		Avmt7 - Powalift 700 Pzx1		
UNLESS OTHERWISE SPECIFIED: DIMENSIONS ARE IN MILLIMETERS		Mod Date	28/07/2014	REVISION
SURFACE FINISH: Powder Coated		Drawn Date:	09/01/2014	A-005
DRAWN Andrew Griffiths		Material		
Unicol Engineering Green Road Oxford OX3 8EU		Gauge		DWG NO.
WEIGHT:		Kg		Ass--20019056
SCALE:1:25		DO NOT SCALE DRAWING		SHEET 2 OF 3

Bend Tool

INSTALLATION INSTRUCTIONS

1. Place Assembly 1 into sockets on Assembly 2.
2. Fully tighten all 4 Socket Set Screws to secure.



Inspect the unit before installing

Warning: Watch for pinch points. Do not put your fingers between moveable parts. Do not tamper with or dis-assemble any spring loaded items.

1. Carefully inspect the unit for shipping damage. If any damages apparent, call Unicol on number below.
2. Lay out components to ensure you have all the required parts before proceeding.

Caution: To prevent damage to the unit, study all instructions and illustrations before you begin the installation. Failure to do so could render the warranty for the unit and the equipment that attaches to it null and void. Pay particular attention to the “warnings” displayed in these instructions.

We recommend installation by a qualified tradesperson. If you have any questions about the installation, contact Unicol, (uk +44 (0) 1865 767676) (europe +49 (0) 9131 9405 8013).